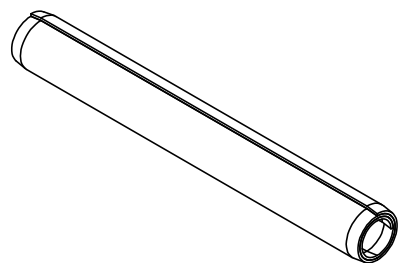
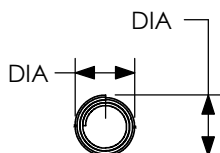
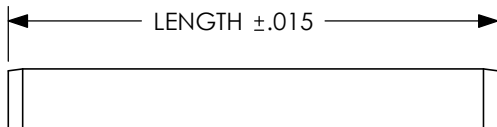
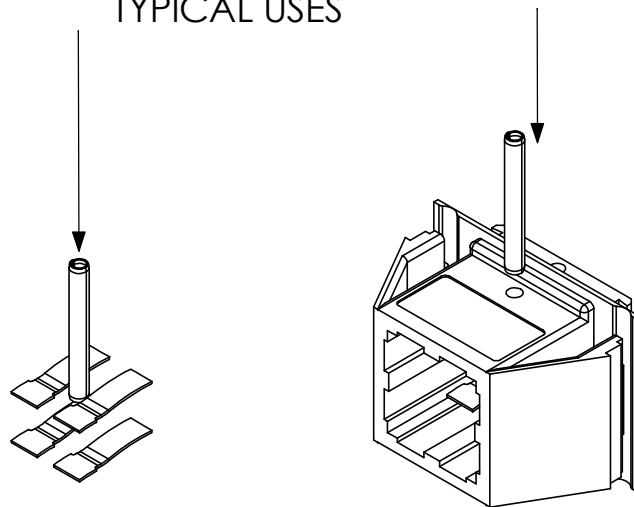


THE INFORMATION CONTAINED IN THIS DRAWING IS THE SOLE PROPERTY OF ANDERSON POWER PRODUCTS. ANY REPRODUCTION IN PART OR WHOLE WITHOUT THE WRITTEN PERMISSION OF ANDERSON POWER PRODUCTS IS PROHIBITED.

**Copyright 2011**

ANDERSON POWER PRODUCTS RESERVES THE RIGHT TO ALTER PRODUCT TYPES, THEIR TECHNICAL DATA, DIMENSION, STYLE AND ACCESSORIES WITHOUT PRIOR NOTIFICATION.

**TYPICAL USES**



CAT. NO.	CONNECTOR	DESCRIPTION	DIAMETER <sup>16</sup>		LENGTH		MAT.
			IN	MM	IN ±.015	MM ±.38	
110G9	PP PAK PLUG/REC	2-HIGH BLOCK	.093/.099	2.36/2.51	0.85	21.59	NICKEL SS
110G16	PP15/45	1-HIGH BLOCK	.093/.103	2.36/2.62	0.25	6.35	HIGH CARBON STEEL
110G17	PP15/45	2-HIGH BLOCK	.093/.103	2.36/2.62	0.44	11.18	NICKEL SS
110G18	PP75	2-HIGH BLOCK	.196/.207	4.98/5.26	1.00	25.40	NICKEL SS
110G18	PP180	1-HIGH BLOCK	.196/.207	4.98/5.26	1.00	25.40	NICKEL SS
110G19	PP75, PP120	1-HIGH BLOCK	.196/.207	4.98/5.26	0.56	14.22	NICKEL SS <sup>14</sup>
110G20	PP120, PP180	2-HIGH BLOCK	.196/.207	4.98/5.26	1.50	38.10	NICKEL SS
110G59	SBE/X AUX KIT	1-HIGH BLOCK	.093/.103	2.36/2.62	1.00	25.40	NICKEL SS <sup>16</sup>

D

D

C

C

B

B

A

A

REV.	DESCRIPTION	APPRV	DATE	DIMENSIONS ARE IN:	INCH [MM]	APPROVALS		ANDERSON POWER PRODUCTS		
16	ECN 2016-0068 CORRECTED DIMENSION ON TABLE	CPD	8/9/2016	UNLESS OTHERWISE STATED TOLERANCES: DECIMALS (INCH) DECIMALS (MM) ANGLES .XX ± .015 .X ± .38 ±.5° .XXX ± .005 .XX ± .13	DRAWN LVR 8/31/1988	CHECKED HHR 8/31/1988	MFG APPRV CHB 10/23/2001	QC APPRV RPO 10/23/2001	ENG APPRV HHR 8/31/1988	TITLE SPIROL® RETAINING PINS FOR POWERPOLES
16	ECRN-15383 CORRECTED PP15/45 SPIROL PIN DIM'S	NTS	4/24/2013							
14	ECRN 15109: CHANGED MATERIAL OF 110G19, SOME INCORRECT DIMENSIONS, AND SPELLING ERRORS	JHN	4/24/2012							
13	ECRN-15028: UPDATED DRAWING TABLE, TITLE BLOCK, AND VIEWS	JHN	12/13/2011							
12	ECRN-14925 TABLE REVISION	TWE	6/20/2011							
REVISIONS				MATERIAL: SEE TABLE	SURFACE FINISH: MACHINED 128µin [3.2µ] MOLDED 64µin [1.6µ]		SIZE A		DWG NO. 111812S1	REV. 16
				FINISH: -	-CAD GENERATED DRAWING- DO NOT MANUALLY UPDATE DO NOT SCALE		SCALE 4:1		CADFILE 01132	SHEET 1 OF 1