

8

7

6

5

4

3

2

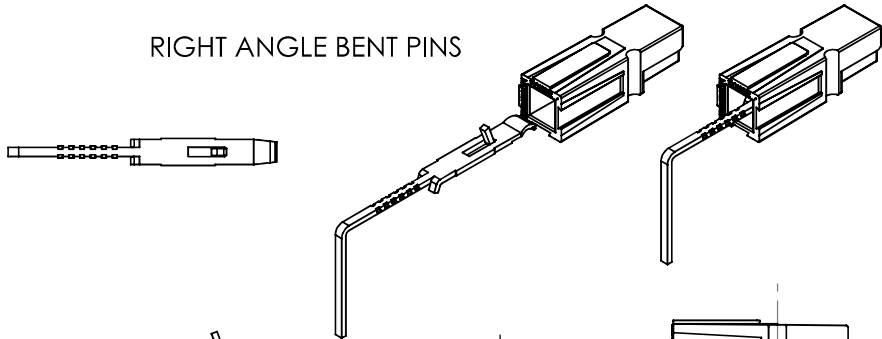
1

THE INFORMATION CONTAINED IN THIS DRAWING IS THE SOLE PROPERTY OF ANDERSON POWER PRODUCTS. ANY REPRODUCTION IN PART OR WHOLE WITHOUT THE WRITTEN PERMISSION OF ANDERSON POWER PRODUCTS IS PROHIBITED.

Copyright 2012

ANDERSON POWER PRODUCTS RESERVES THE RIGHT TO ALTER PRODUCT TYPES, THEIR TECHNICAL DATA, DIMENSION, STYLE AND ACCESSORIES WITHOUT PRIOR NOTIFICATION.

RIGHT ANGLE BENT PINS



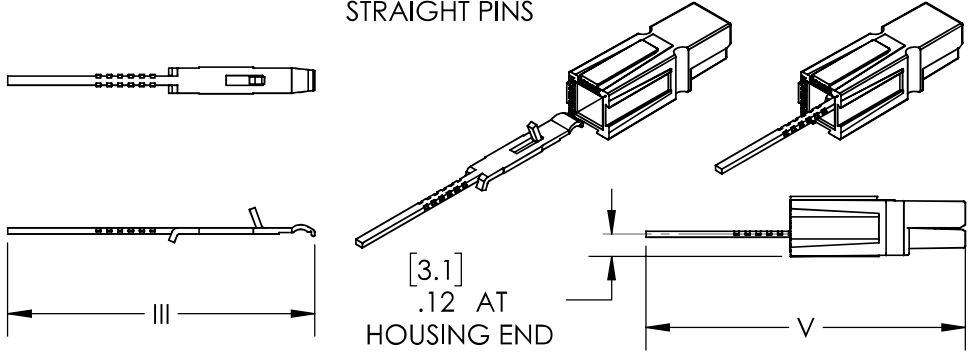
RIGHT ANGLE PINS

P/N (NOTE 1)	I		II		IV		VI	
	IN	[mm]	IN	[mm]	IN	[mm]	IN	[mm]
G1	1.46	[37.1]	0.70	[17.8]	1.52	[38.6]	0.59	[15.1]
G2	1.30	[33.0]	0.40	[10.2]	1.36	[34.5]	0.29	[7.5]
G11	1.14	[29.0]	0.70	[17.8]	1.21	[30.7]	0.59	[15.1]
G12	0.95	[24.1]	0.40	[10.2]	1.01	[25.7]	0.29	[7.5]
G14	1.30	[33.0]	0.18	[4.6]	1.36	[34.5]	0.08	[2.0]
G15	1.14	[29.0]	1.02	[25.9]	1.21	[30.7]	0.91	[23.2]
G16	0.95	[24.1]	0.72	[18.3]	1.00	[25.4]	0.61	[15.6]
G17	1.14	[29.0]	0.88	[22.4]	1.21	[30.7]	0.77	[19.7]
G18	1.00	[25.4]	0.58	[14.7]	1.07	[27.2]	0.47	[12.0]
G19	1.14	[29.0]	0.63	[16.0]	1.21	[30.7]	0.52	[15.3]
G20	0.95	[24.1]	0.32	[8.1]	1.01	[25.7]	0.21	[5.3]

STRAIGHT PINS

P/N (NOTE 1)	III		V					
	IN	[mm]	IN	[mm]				
G3	2.16	54.9	2.22	56.4				
G4	1.70	43.2	1.76	44.7				
G13	1.11	28.2	1.17	29.7				

STRAIGHT PINS



NOTES:

- P/N PREFIXES
1377GX DENOTES LOW DETENT
1317GX DENOTES HIGH DETENT
- HOLE SIZE FOR PCB IS .070[1.8].
- PCB HOLE SPACING FOR STRAIGHT AND RIGHT ANGLE
- CONNECTOR HOUSINGS SOLD SEPARATELY

[7.9] .31 SEE NOTE 3

REV.	DESCRIPTION	APPRV	DATE
16	ECN 2022-0098 - ADDED SHEET 2	CPD	8/29/2022
15	ECN 2016-0018	CMS	4/7/2016
14	ECRN 15208	NTS	7/20/2012
13	ECRN-15096	NTS	3/30/2012
12	ECRN 13791	CMS	2/4/05
11	ECRN 13661	CMS	2/25/04
10	ECRN 13644	CMS	12/1/03
9	ECRN 13433	CMS	10/23/01
8	ECRN 13400	CMS	6/4/01
7	ECRN 13382	CMS	3/26/01
6	ECRN 13312	CMS	4/13/00

DIMENSIONS ARE IN: INCH [MM]

UNLESS OTHERWISE STATED
TOLERANCES:
DECIMALS (INCH) DECIMALS (MM) ANGLES
.XX ± .02 .X ± .5 ± 2°

SURFACE FINISH:
MACHINED 128µin [3.2µ]
MOLDED 64µin [1.6µ]

MATERIAL: COPPER
FINISH: TIN PLATE

3rd ANGLE PROJECTION

APPROVALS

DRAWN	RLE	3/9/1993
CHECKED	DJD	10/9/2001
MFG APPRV	UFN	3/9/1993
QC APPRV	CHB	3/9/1993
ENG APPRV	HN	3/9/1993

-CAD GENERATED DRAWING-
DO NOT MANUALLY UPDATE
DO NOT SCALE

ANDERSON POWER PRODUCTS

TITLE
CAT. NO. 1377 AND 1317 25 AMP PCB CONTACTS STRAIGHT AND RIGHT ANGLE

SIZE A DWG NO. 113881S1 REV. 16

SCALE NONE CADFILE 01064 SHEET 1 OF 2

8

7

6

5

4

3

2

1

8

7

6

5

4

3

2

1

THE INFORMATION CONTAINED IN THIS DRAWING IS THE SOLE PROPERTY OF ANDERSON POWER PRODUCTS. ANY REPRODUCTION IN PART OR WHOLE WITHOUT THE WRITTEN PERMISSION OF ANDERSON POWER PRODUCTS IS PROHIBITED.

Copyright 2021

ANDERSON POWER PRODUCTS RESERVES THE RIGHT TO ALTER PRODUCT TYPES, THEIR TECHNICAL DATA, DIMENSION, STYLE AND ACCESSORIES WITHOUT PRIOR NOTIFICATION.

D

C

B

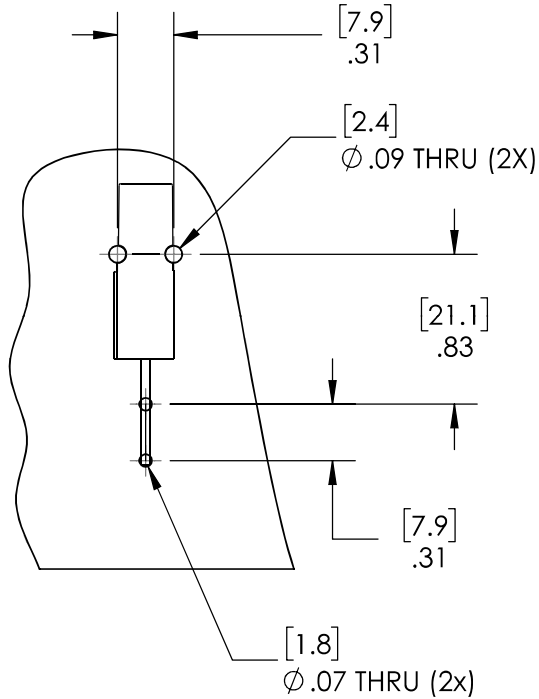
A

D

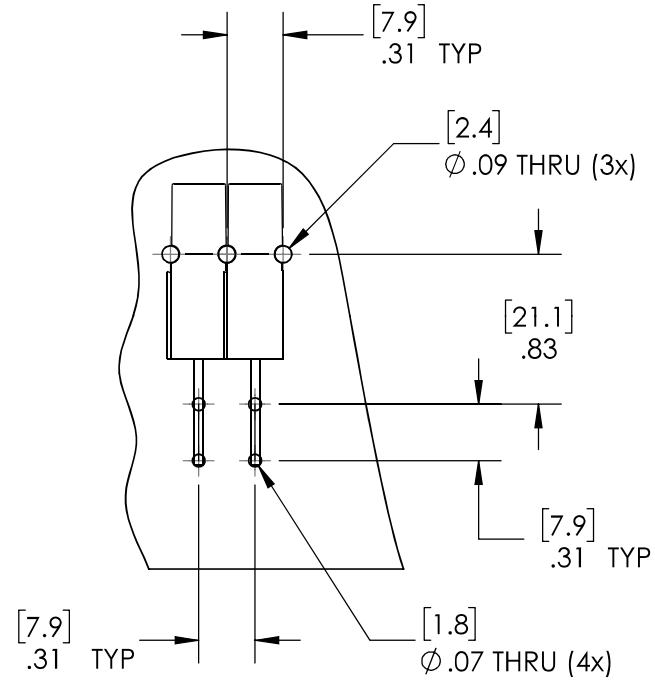
C

B



A



2X1 POWERPOLE CONFIGURATION



1X2 POWERPOLE CONFIGURATION

DIMENSIONS ARE IN:		INCH [MM]		 ANDERSON POWER PRODUCTS
UNLESS OTHERWISE STATED				
TOLERANCES:				
DECIMALS (INCH)	DECIMALS (MM)	ANGLES		TITLE
.XX \pm .02	.X \pm .5	$\pm 2^\circ$		CAT. NO. 1377 AND 1317 25 AMP PCB CONTACTS STRAIGHT AND RIGHT ANGLE
SURFACE FINISH:				
MACHINED	128 μ in [3.2 μ]	<input checked="" type="checkbox"/>		
MOLDED	64 μ in [1.6 μ]	<input checked="" type="checkbox"/>		
MATERIAL:		COA NO.	PROD. LINE	
COPPER		-	-	
FINISH:		SIZE	DWG NO.	REV.
TIN PLATE		A	113881S1	16
		SCALE	CADFILE	SHEET
		NONE	01064	2 OF 2

8

7

6

5

4

3

2

1