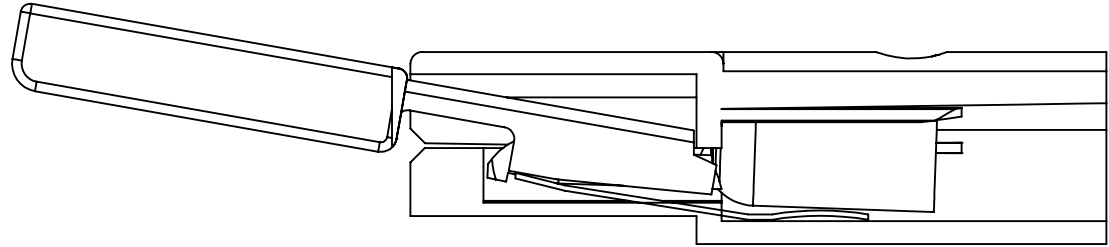
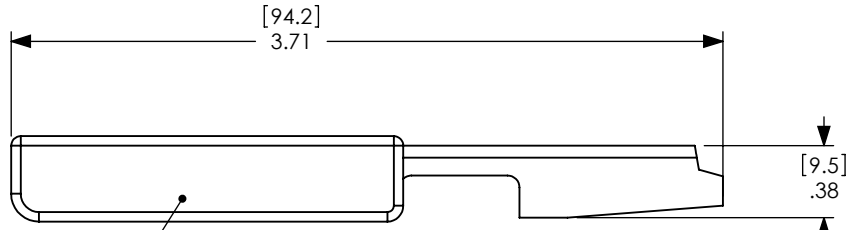
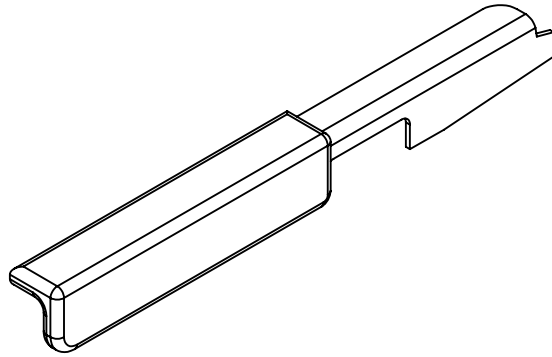
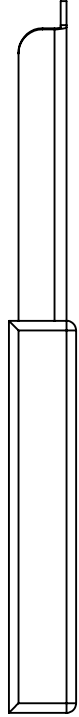


THE INFORMATION CONTAINED IN THIS DRAWING IS THE SOLE PROPERTY OF ANDERSON POWER PRODUCTS. ANY REPRODUCTION IN PART OR WHOLE WITHOUT THE WRITTEN PERMISSION OF ANDERSON POWER PRODUCTS IS PROHIBITED.

CUT-AWAY VIEW SHOWING HOW TO EXTRACT A CONTACT



SLIDE TOOL INTO THE MATING END OF THE CONNECTOR, ALONGSIDE THE RIGHT SIDE OF THE CONTACT. PUSH THE TOOL IN UNTIL THE FRONT END IS UNDER THE BARRIER WALL. PUT DOWNWARD PRESSURE ON THE HANDLE, COMPRESSING THE SPRING. WHILE THE SPRING IS COMPRESSED, PULL ON THE CABLE TO EXTRACT THE CONTACT.



VINYL COATED HANDLE

|      |                        |
|------|------------------------|
| BY:  | DATE                   |
| REV. | DESCRIPTION OF CHANGES |

NOTES:  
 MATERIAL:  
 #22 (.03") GA. COLD ROLLED LOW CARBON STEEL  
 KANIGEN PLATE .0003/.0005 THK  
 HANDLE COATING- RED VINYL

|             |         |
|-------------|---------|
| NEXT ASSY   | USED ON |
| APPLICATION |         |

| ITEM NO.  | PART OR IDENTIFYING NO. | NOMENCLATURE OR DESCRIPTION                      | MATERIAL SPECIFICATION | QTY REQD                       |
|---|-------------------------|--|------------------------|--------------------------------|
| COPYRIGHT 2000 ANDERSON POWER PRODUCTS. ALL RIGHTS RESERVED. UNAUTHORIZED REPRODUCTION HEREBY PROHIBITED. |                         |  |                        |                                |
| DIMENSIONS ARE IN INCHES<br>DIMENSIONS IN PARENTHESES<br>[ ] ARE IN MILLIMETERS                           |                         | CAD GENERATED DRAWING,<br>DO NOT MANUALLY UPDATE |                        | <b>ANDERSON POWER PRODUCTS</b> |
| TOLERANCES ARE:<br>2PL- ±.02 [±.5]  |                         | APPROVALS  | DATE                   |                                |
| MATERIALS:<br>SEE NOTES   |                         | DRAWN  | CMS 4/25/00            |                                |
| FINISH<br>SEE NOTES   |                         | CHECKED  | DJD 5/5/00             |                                |
| DO NOT SCALE DRAWING  |                         | RESP ENG   | UFN 5/15/00            | SIZE                           |
|   |                         | MFG ENG  | CHB 5/8/00             | A                              |
|   |                         | QUAL ENG   | RPO 5/8/00             | SPECIFICATION:                 |
|   |                         |  |                        | 114244S1                       |
|   |                         | SCALE  | NONE                   | REV.                           |
|   |                         |  |                        | 0                              |
|   |                         | CADFILES/01216                                   |                        | SHEET 1 OF 1                   |