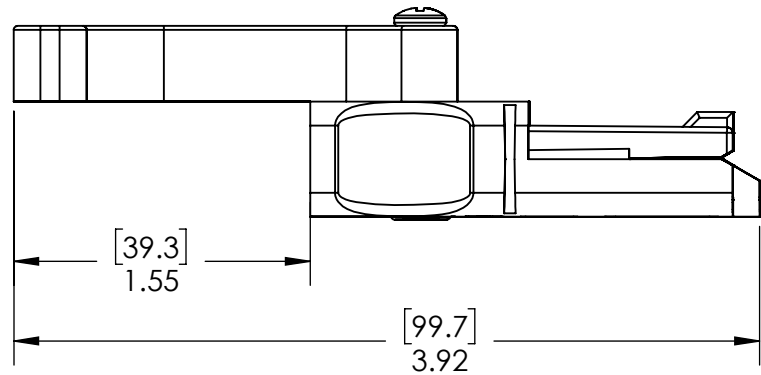
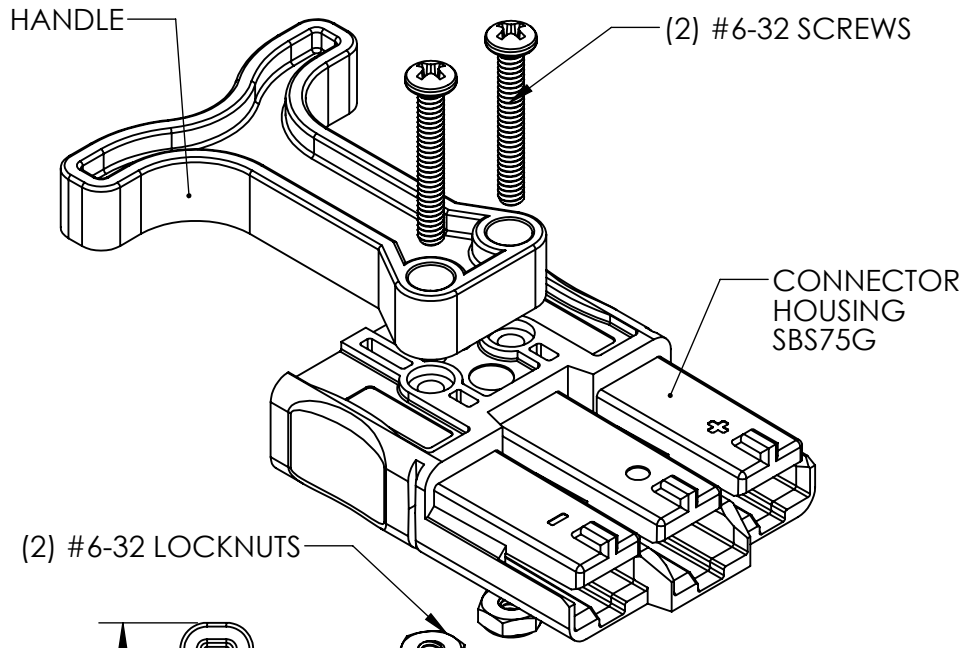


THE INFORMATION CONTAINED IN THIS DRAWING IS THE SOLE PROPERTY OF ANDERSON POWER PRODUCTS. ANY REPRODUCTION IN PART OR WHOLE WITHOUT THE WRITTEN PERMISSION OF ANDERSON POWER PRODUCTS IS PROHIBITED.

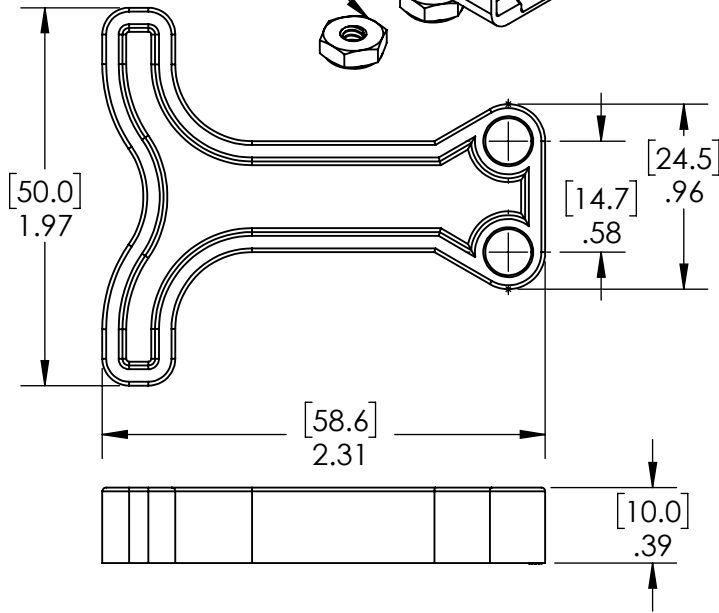
Copyright 2012

ANDERSON POWER PRODUCTS RESERVES THE RIGHT TO ALTER PRODUCT TYPES, THEIR TECHNICAL DATA, DIMENSION, STYLE AND ACCESSORIES WITHOUT PRIOR NOTIFICATION.



SBS75G MOUNTING ORIENTATION

(2) #6-32 LOCKNUTS



NOTES:

- CONNECTORS SOLD SEPARATELY
- KIT INCLUDES HANDLE AND (2) #6-32 SCREWS AND LOCKNUTS
- MATERIALS:
HANDLE - PBT
SCREWS AND NUTS - STEEL, ZINC-PLATED

HANDLE KIT P/N: SBS75G-HDL-RED ¹

DIMENSIONS ARE IN:	INCH [MM]	APPROVALS		ANDERSON POWER PRODUCTS	
UNLESS OTHERWISE STATED		DRAWN	TWE		4/9/2012
TOLERANCES:		CHECKED	NTS		4/11/2012
DECIMALS (INCH)	DECIMALS (MM)	ANGLES	MFG APPRV		CHB
.XX ±.02	.X ±.5	±2°	QC APPRV	UFN	4/11/2012
SURFACE FINISH:		ENG APPRV	BD	4/12/2012	TITLE PLASTIC HANDLE FOR USE WITH SBS75G CONNECTOR "V0"
MACHINED	128µin [3.2µ]	SIZE	A	DWG NO.	
MOLDED	64µin [1.6µ]	SCALE	NONE	CADFILE	03701
MATERIAL:		FINISH:		SHEET	1 OF 1
SEE NOTES		N/A			
3rd ANGLE PROJECTION		-CAD GENERATED DRAWING- DO NOT MANUALLY UPDATE DO NOT SCALE			

1	ECRN-15169	TWE	6/12/2012
REV.	DESCRIPTION	APPRV	DATE
REVISIONS			