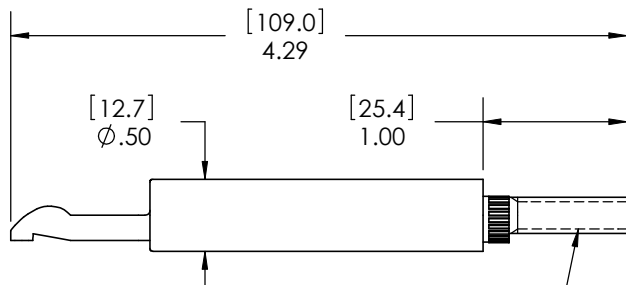
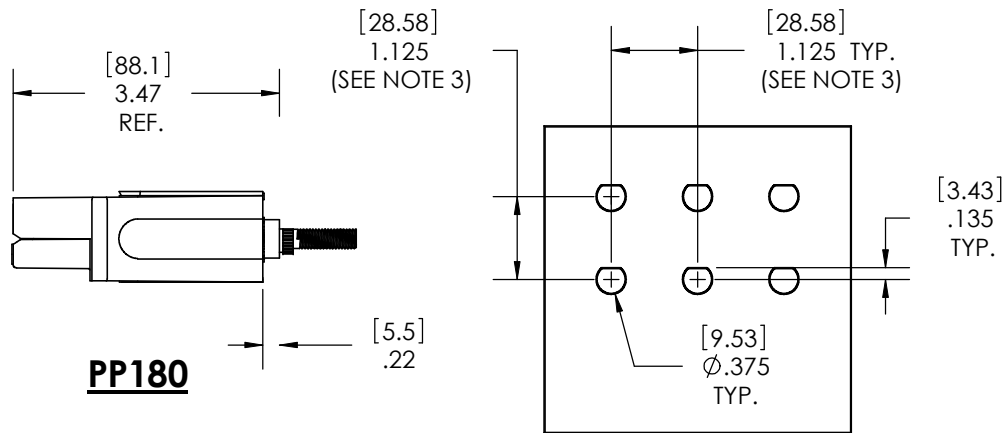
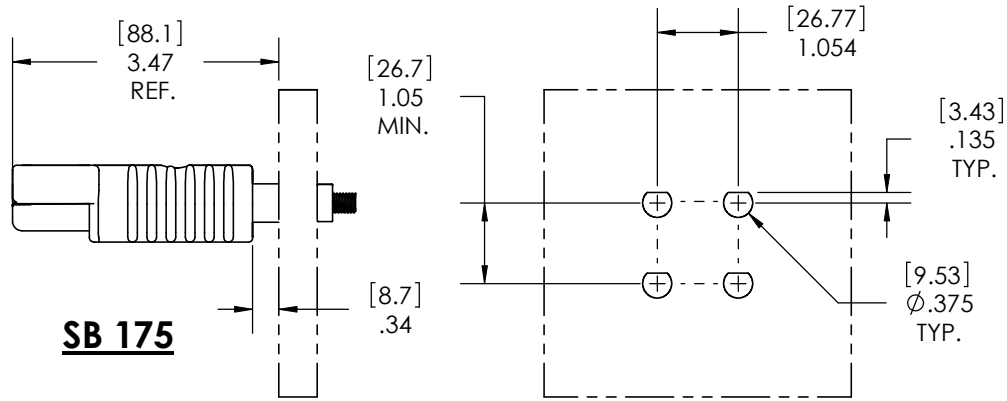
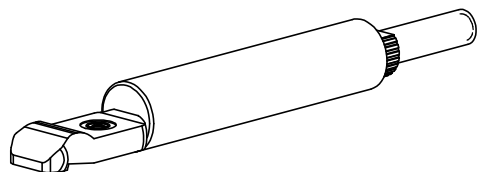


THE INFORMATION CONTAINED IN THIS DRAWING IS THE SOLE PROPERTY OF ANDERSON POWER PRODUCTS. ANY REPRODUCTION IN PART OR WHOLE WITHOUT THE WRITTEN PERMISSION OF ANDERSON POWER PRODUCTS IS PROHIBITED.

Copyright 2007

ANDERSON POWER PRODUCTS RESERVES THE RIGHT TO ALTER PRODUCT TYPES, THEIR TECHNICAL DATA, DIMENSION, STYLE AND ACCESSORIES WITHOUT PRIOR NOTIFICATION.



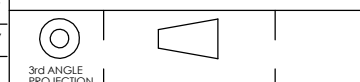
**NOTES:**

1. CONNECTOR HOUSINGS SOLD SEPARATELY
2. FOR USE WITH PP180 AND SB175 SERIES HOUSINGS
3. #1/4-20 NUT AND WASHER INCLUDED
4. TIGHTENING TORQUE = 70 IN-LBS
5. LAYOUT DIMENSIONS ASSUME DOVETAIL ENGAGEMENT FOR PP HOUSINGS
6. FOR USE WITH .20[5.1] - .75[19.1] THK. BUS BARS

DIMENSIONS ARE IN:	INCH[MM]
UNLESS OTHERWISE STATED	
TOLERANCES:	
DECIMALS (INCH)	DECIMALS (MM) ANGLES
.XX ±.02	.X ±.5 ±2°
SURFACE FINISH:	
MACHINED	128 [3.2] ✓
MOLDED	64 [1.6] ✓
MATERIAL: COPPER ALLOY	
FINISH: SILVER PLATE	

APPROVALS	
DRAWN	GN 02/25/02
CHECKED	BL 02/25/02
MFG APP	CHB 02/25/02
QC APP	RPO 02/25/02
ENG APP	UFN 02/25/02

<b>ANDERSON POWER PRODUCTS</b>		
<b>TITLE</b> PP180 & SB175 BUS BAR CONTACT CAT.NO. 180BBS		
<b>SIZE</b> A/A4	<b>DWG NO.</b> 114385	<b>REV.</b> 2



-CAD GENERATED DRAWING-  
DO NOT MANUALLY UPDATE  
DO NOT SCALE

<b>SCALE</b> NONE	<b>CADFILE</b> 01633	<b>SHEET</b> 1 OF 1
----------------------	-------------------------	------------------------

2	ECRN 14211 - ADD MISSING DIMENSIONS	AMS	11/13/07
1	ECRN 14176 - UPDATE BORDER	AMS	07/02/07
REV.	DESCRIPTION OF CHANGES	APPROVED	DATE