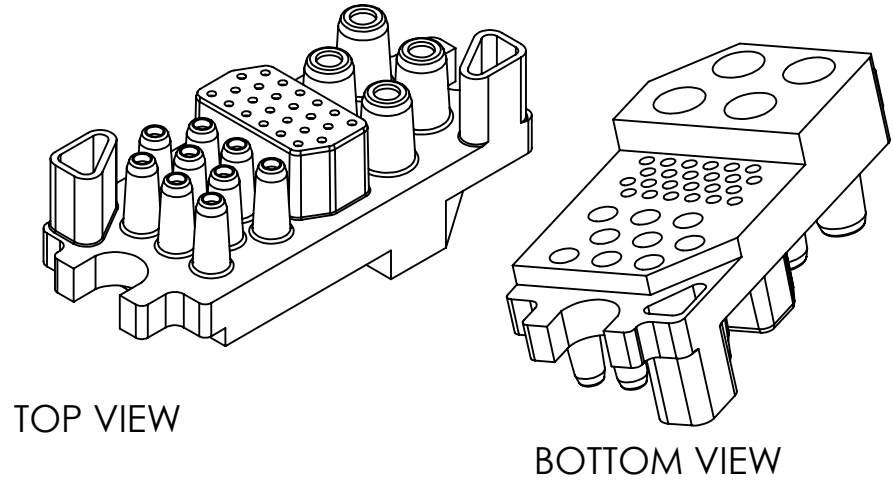
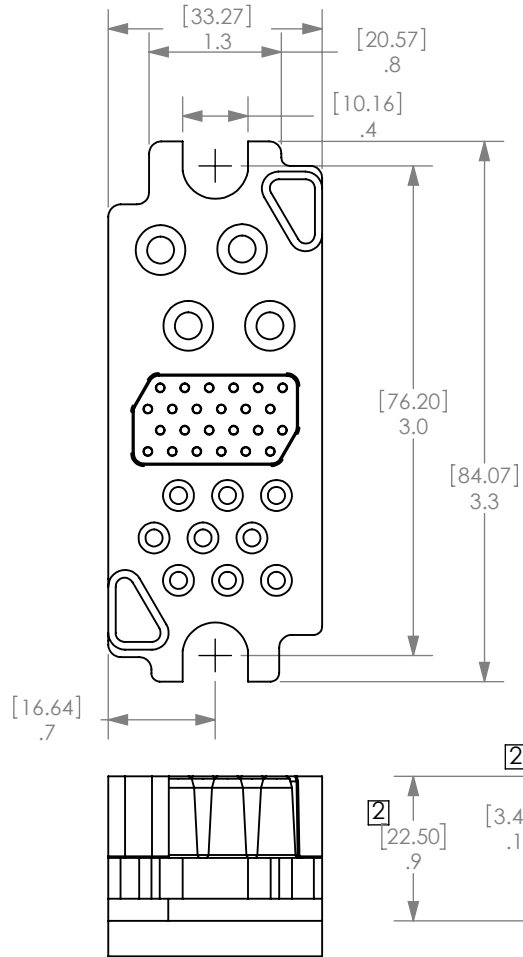


THE INFORMATION CONTAINED IN THIS DRAWING IS THE SOLE PROPERTY OF ANDERSON POWER PRODUCTS. ANY REPRODUCTION IN PART OR WHOLE WITHOUT THE WRITTEN PERMISSION OF ANDERSON POWER PRODUCTS IS PROHIBITED.

ANDERSON POWER PRODUCTS RESERVES THE RIGHT TO ALTER PRODUCT TYPES, THEIR TECHNICAL DATA, DIMENSION, STYLE AND ACCESSORIES WITHOUT PRIOR NOTIFICATION.

BY:	DATE
TWE	5/5/11
ECH	10/6/2003
DESCRIPTION OF CHANGES	
1	ECRN-14903 ADDED PCB POLE LOCATIONS
2	ECN 2020-0099 - UPDATED DIMENSIONS



**PART NUMBER 075MSF**

FOR USE WITH #8, #12, AND #20 POWER DRAWER CONTACTS ONLY

COPYRIGHT 2003 ANDERSON POWER PRODUCTS. ALL RIGHTS RESERVED. UNAUTHORIZED REPRODUCTION HEREBY PROHIBITED.

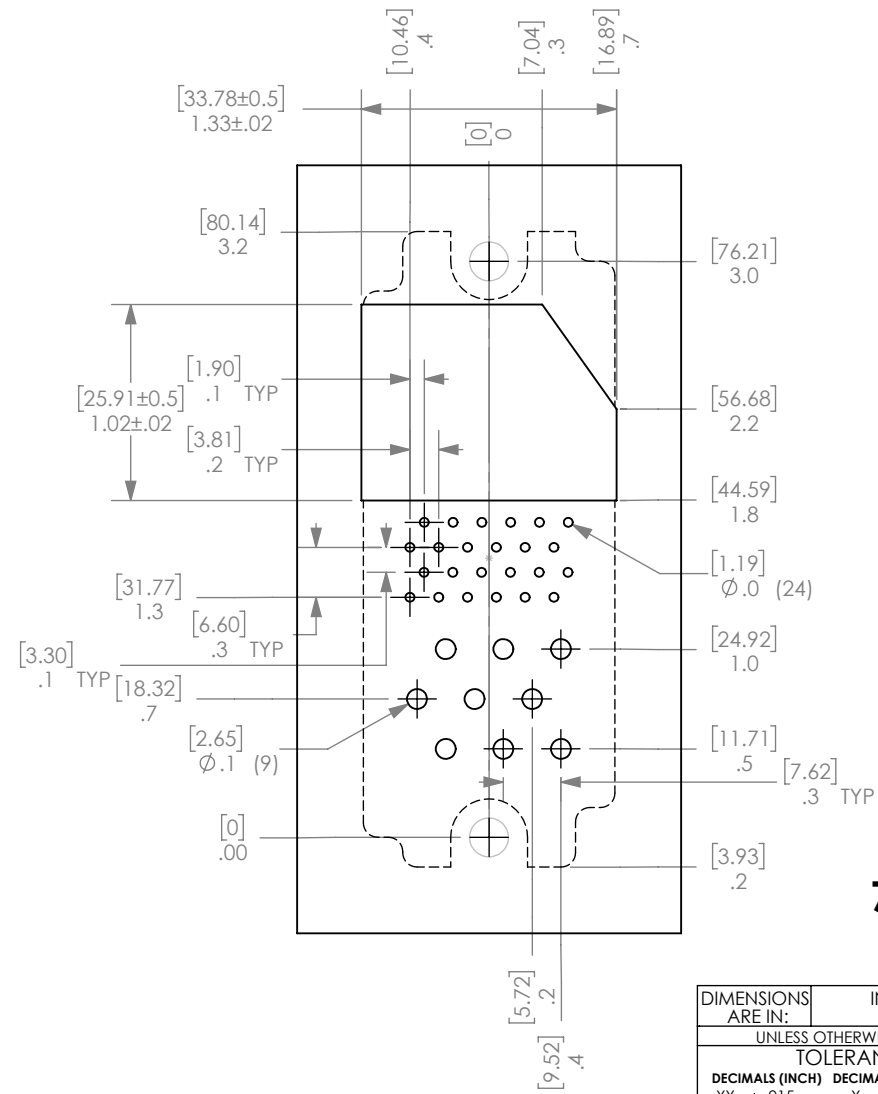
DIMENSIONS ARE IN INCHES DIMENSIONS IN PARENTHESES [] ARE IN MILLIMETERS		CAD GENERATED DRAWING, DO NOT MANUALLY UPDATE		<b>ANDERSON POWER PRODUCTS</b>	
TOLERANCES ARE: 2PL- ±.02 [±.5]		APPROVALS	DATE	75 AMP POWER DRAWER SOCKET FLOAT MOUNT HOUSING	
MATERIALS: PBT UL94 V-0		DRAWN	CMS 9/19/03		
FINISH AS MOLDED		CHECKED	DJD 10/3/03		
NEXT ASSY USED ON		RESP ENG	MAW 10/6/03		
APPLICATION		MFG ENG	DAM 10/6/03		
DO NOT SCALE DRAWING		QUAL ENG	JA 10/6/03	SIZE	SPECIFICATION:
				A	114457S2
				SCALE	CADFILES/01876
				NONE	
				REV. 2	
				SHEET 1 OF 2	

THE INFORMATION CONTAINED IN THIS DRAWING IS THE SOLE PROPERTY OF ANDERSON POWER PRODUCTS. ANY REPRODUCTION IN PART OR WHOLE WITHOUT THE WRITTEN PERMISSION OF ANDERSON POWER PRODUCTS IS PROHIBITED.

**Copyright 2011**

ANDERSON POWER PRODUCTS RESERVES THE RIGHT TO ALTER PRODUCT TYPES, THEIR TECHNICAL DATA, DIMENSION, STYLE AND ACCESSORIES WITHOUT PRIOR NOTIFICATION.

D  
C  
B  
A



### 75 AMP SOCKET FLOAT MOUNT PCB LAYOUT

DIMENSIONS ARE IN:	IN[MM]	<i>APPROVALS</i>			<b>ANDERSON POWER PRODUCTS</b>		
UNLESS OTHERWISE STATED		DRAWN	CMS 9/19/2003		TITLE		
TOLERANCES:		CHECKED	DJD 10/3/2003	75 AMP POWER DRAWER SOCKET FLOAT MOUNT HOUSING			
DECIMALS (INCH) DECIMALS (MM) ANGLES		MFG APPRV	DAM 10/6/2003				
.XX ± .015 X ± .38 ±.5° .XXX ± .005 XX ± .13		QC APPRV	JA 10/6/2003				
SURFACE FINISH:		ENG APPRV	MAW 10/6/2003	SIZE	DWG NO.	REV.	
MACHINED 128 [3.2]✓ MOLDED 64 [1.6]✓		PBT UL94 V-0		A	114457S2	2	
FINISH: AS MOLDED		-CAD GENERATED DRAWING- DO NOT MANUALLY UPDATE DO NOT SCALE		SCALE	CADFILE	SHEET	
				0.85:1	01876	2 OF 2	