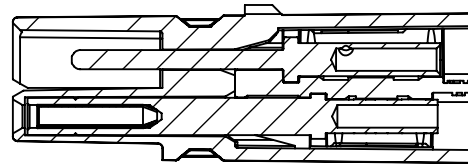
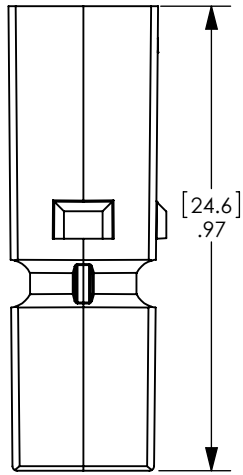


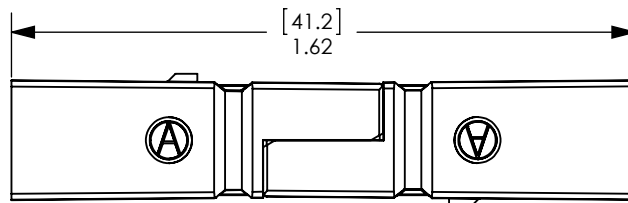
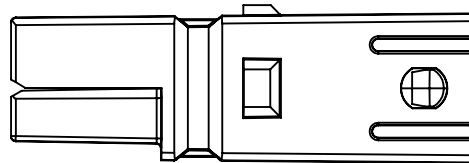
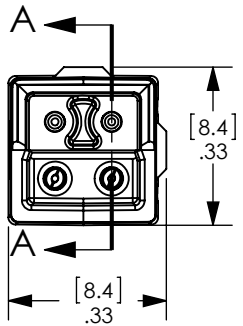
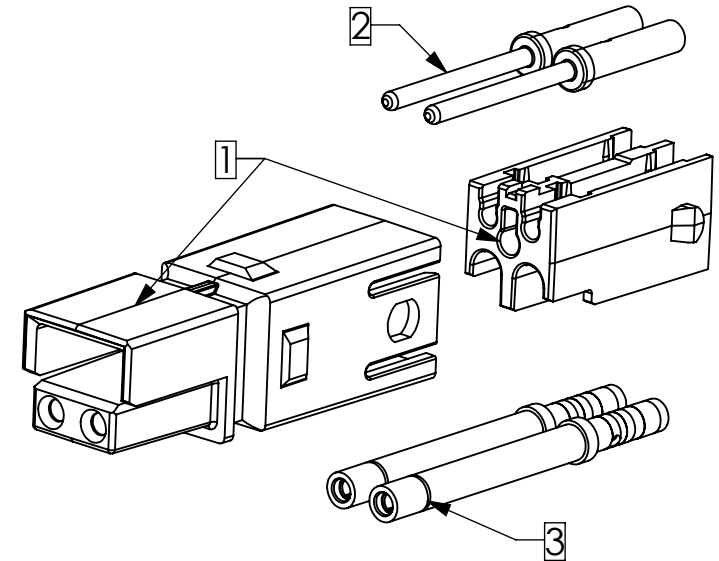
THE INFORMATION CONTAINED IN THIS DRAWING IS THE SOLE PROPERTY OF ANDERSON POWER PRODUCTS. ANY REPRODUCTION IN PART OR WHOLE WITHOUT THE WRITTEN PERMISSION OF ANDERSON POWER PRODUCTS IS PROHIBITED.

Copyright 2010

ANDERSON POWER PRODUCTS RESERVES THE RIGHT TO ALTER PRODUCT TYPES, THEIR TECHNICAL DATA, DIMENSION, STYLE AND ACCESSORIES WITHOUT PRIOR NOTIFICATION.



SECTION A-A



MATED LENGTH

ITEM	QTY	PART NO.	DESCRIPTION
1	1	4827G6-BK	PPMX HSG & HOLDER, BLACK
2	2	4803G3-BK	PPMX #20-24 AWG PIN, GOLD PL
3	2	4802G3-BK	PPMX #20-24 AWG SOCKET, GOLD PL

**COMPLETE KIT PART NO: 4850G6**

- NOTES:
- FOR MATERIAL AND PLATING INFORMATION- SEE DATA SHT.
  - ALL COMPONENTS PACKAGED IN SEPARATE POLYBAGS
  - REFER TO INSTRUCTION SHEET 1S6543

DIMENSIONS ARE IN: INCH[MM]		APPROVALS		ANDERSON POWER PRODUCTS		
UNLESS OTHERWISE STATED		DRAWN	CMS	5/20/10	PPMX CONNECTOR	
TOLERANCES:		CHECKED	DJD	5/21/10		
DECIMALS (INCH)	DECIMALS (MM)	ANGLES	MFG APP	CHB		5/21/10
.XX ± .02	.X ± .5	±2°	QC APP	UFN		5/21/10
SURFACE FINISH:		MATERIAL:	ENG APP	BD	5/21/10	
MACHINED 128 [3.2] ✓		SEE DATA SHT.				
MOLDED 64 [1.6] ✓						
FINISH: *****		SIZE	A/A4	DWG NO.	114950S1	
		SCALE	NONE	CADFILE	03082	
				REV.	3	
				SHEET	1 OF 1	

REV.	DESCRIPTION	APPRV	DATE
3	ECRN 14873: .33 WAS .31	CMS	4/1/11
2	ECRN 14644: REVISE CATALOG NUMBERS	CMS	6/22/10
1	ECRN 14642: ADD CATALOG NUMBERS, PPMX NAME	CMS	6/15/10

REVISIONS



-CAD GENERATED DRAWING-  
DO NOT MANUALLY UPDATE  
DO NOT SCALE