

8

7

6

5

4

3

2

1

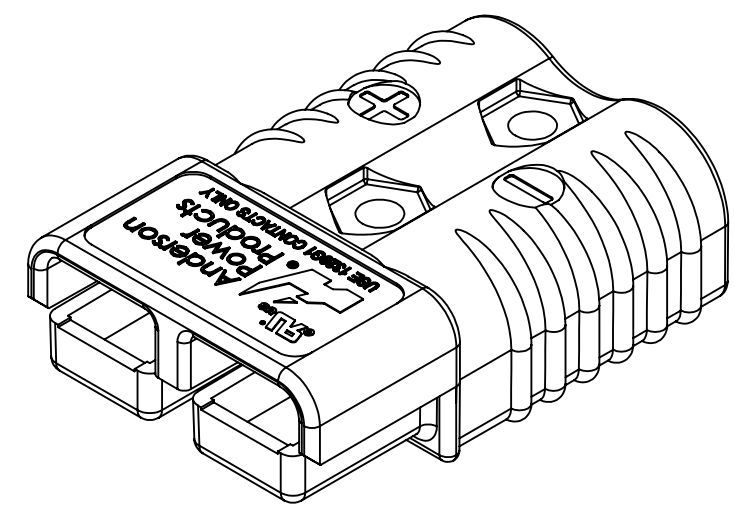
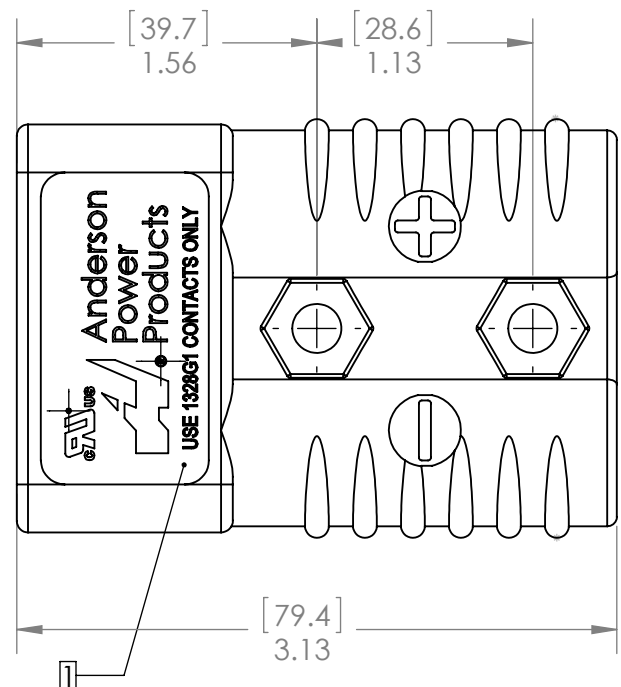
THE INFORMATION CONTAINED IN THIS DRAWING IS THE SOLE PROPERTY OF ANDERSON POWER PRODUCTS. ANY REPRODUCTION IN PART OR WHOLE WITHOUT THE WRITTEN PERMISSION OF ANDERSON POWER PRODUCTS IS PROHIBITED.

Copyright 2011

ANDERSON POWER PRODUCTS RESERVES THE RIGHT TO ALTER PRODUCT TYPES, THEIR TECHNICAL DATA, DIMENSION, STYLE AND ACCESSORIES WITHOUT PRIOR NOTIFICATION.

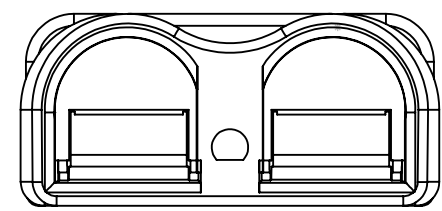
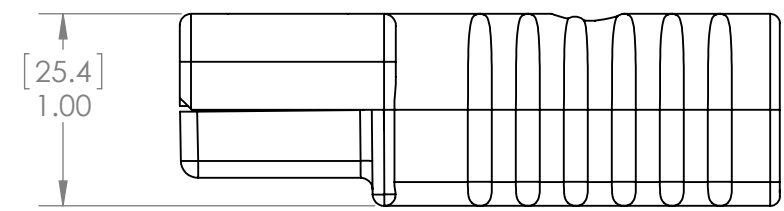
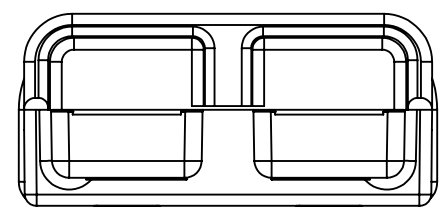
E

E



D

D



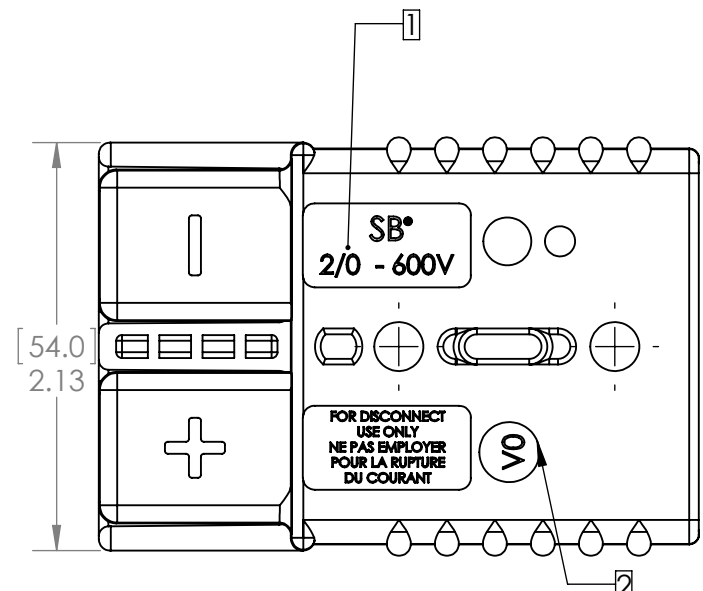
C

C

B

B

- NOTES:
1. SPRING/HOUSING ASSEMBLIES ARE UL RECOGNIZED PER FILE E26226, CSA CERTIFIED PER LR25154
 2. HOUSING ARE KEYED TO ONLY ALLOW MATING WITH THE SAME COLOR HOUSING.
 3. HOUSING ASSEMBLIES ACCOMODATE ANDERSON CONTACT 1328G1.
 4. MATERIAL:
HOUSING- POLYCARBONATE, UL94VO
SPRING - STAINLESS STEEL



PART NUMBER 115107G1

DIMENSIONS ARE IN:		INCH [MM]		APPROVALS		ANDERSON POWER PRODUCTS	
UNLESS OTHERWISE STATED		TOLERANCES:		DRAWN	LLD	8/31/2011	TITLE SB HOUSING FOR 2/0 - GRAY - SALES OUTLINE
DECIMALS (INCH)	DECIMALS (MM)	ANGLES	CHECKED	CMS	9/2/2011	SIZE	
.XX ± .02	.X ± .5	± 2°	MFG APPRV	CHB	9/2/2011	DWG NO.	
SURFACE FINISH:			QC APPRV	UFN	9/2/2011	REV.	
MACHINED		64 [1.6]		ENG APPRV	BD	9/2/2011	115107S1
MOLDED		32 [0.8]					2
MATERIAL: SEE NOTE				-CAD GENERATED DRAWING- DO NOT MANUALLY UPDATE DO NOT SCALE		SCALE	CADFILE
FINISH:						NONE	03558
3rd ANGLE PROJECTION						SHEET 1 OF 1	

REV.	DESCRIPTION	APPRV	DATE
2	ECRN 15333 - REMOVE CSA LOGO REPLACE WITH VO	LLD	2/7/2013
1	ECRN 15261 - CHANGE LOGO (REMOVE 175)	LLD	10/25/2012
REVISIONS			

8

7

6

5

4

3

2

1