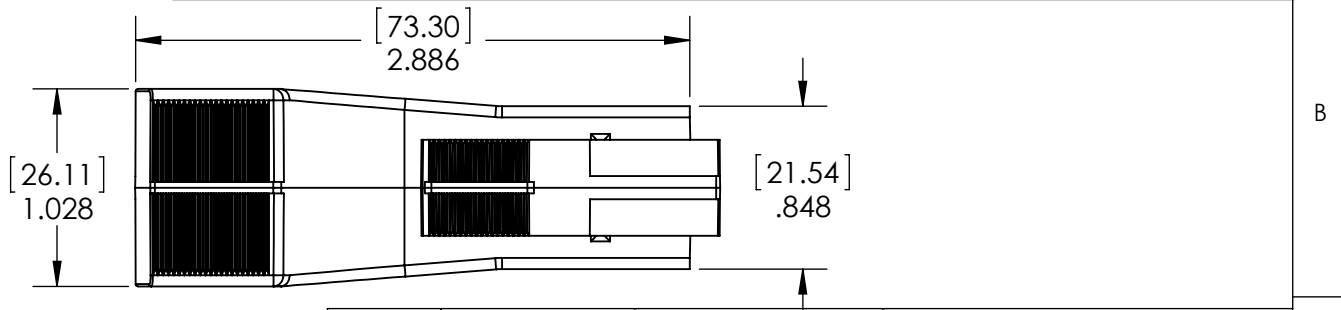
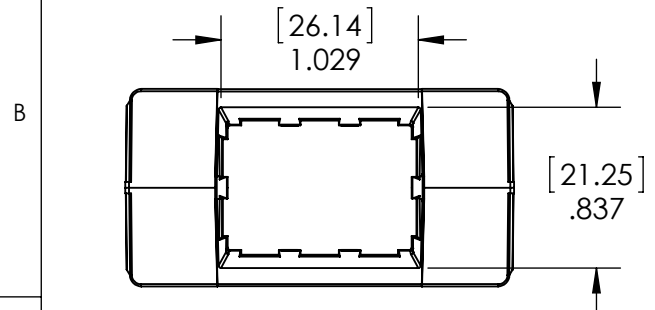
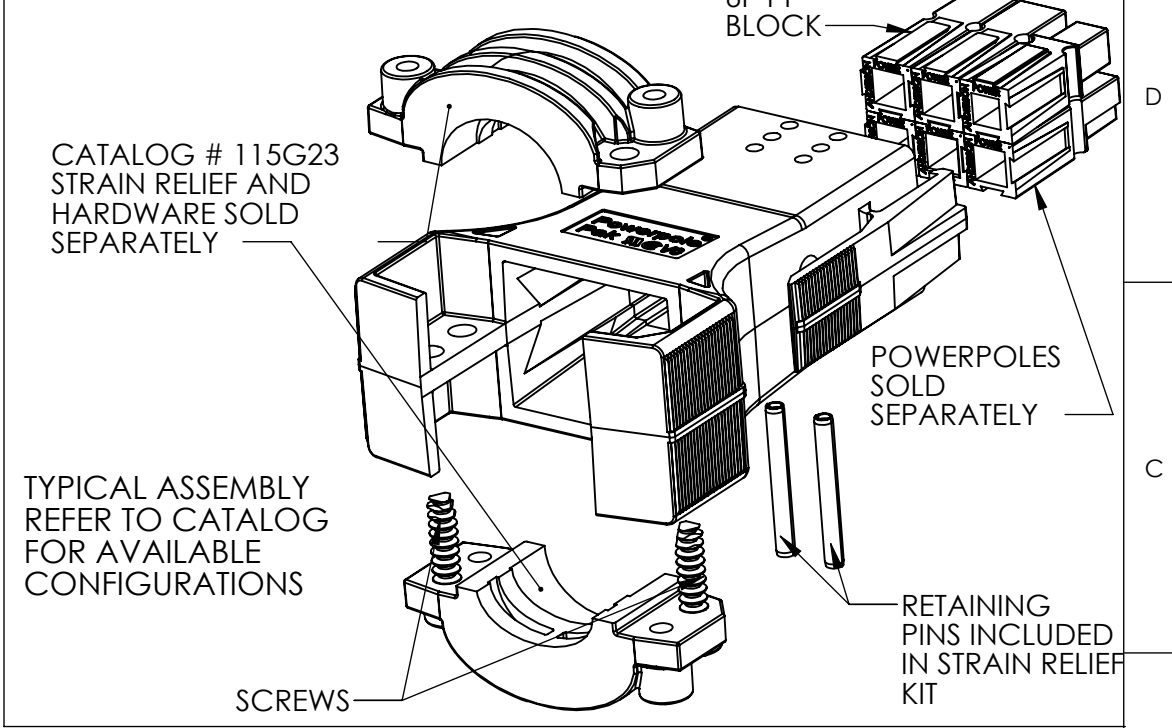
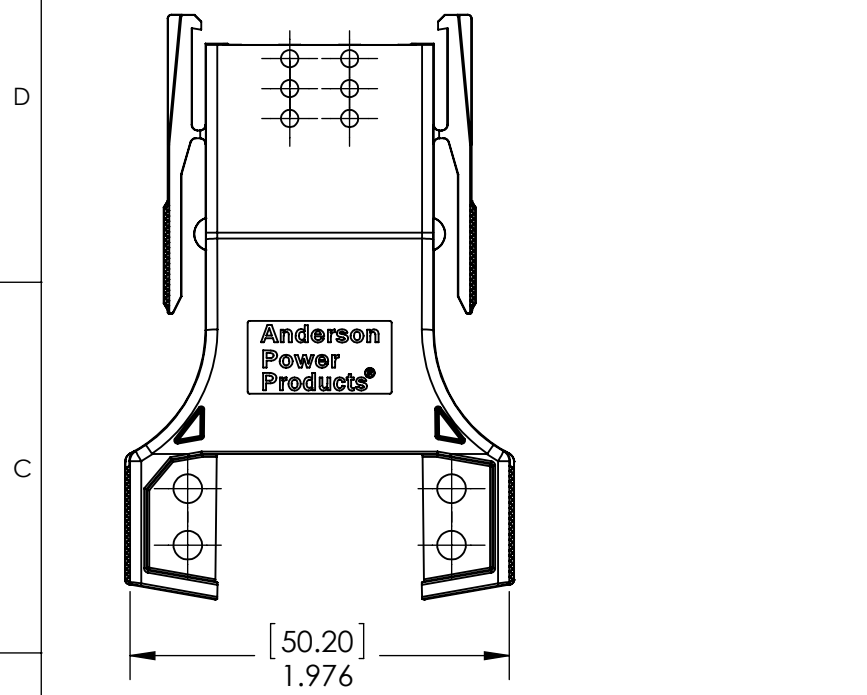


8 7 6 5 4 3 2 1

THE INFORMATION CONTAINED IN THIS DRAWING IS THE SOLE PROPERTY OF ANDERSON POWER PRODUCTS. ANY REPRODUCTION IN PART OR WHOLE WITHOUT THE WRITTEN PERMISSION OF ANDERSON POWER PRODUCTS IS PROHIBITED.

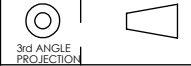
**Copyright 2012**

ANDERSON POWER PRODUCTS RESERVES THE RIGHT TO ALTER PRODUCT TYPES, THEIR TECHNICAL DATA, DIMENSION, STYLE AND ACCESSORIES WITHOUT PRIOR NOTIFICATION.



|                         |               |               |  |                  |     |                                |   |         |  |
|-------------------------|---------------|---------------|--|------------------|-----|--------------------------------|---|---------|--|
| DIMENSIONS ARE IN:      |               | INCH [MM]     |  | <i>APPROVALS</i> |     | <b>ANDERSON POWER PRODUCTS</b> |   |         |  |
| UNLESS OTHERWISE STATED |               |               |  | DRAWN            | TWE | 2/6/2012                       | TITLE<br>CATALOG NUMBER 1460G23<br>2X3 POWERPOLE PAK PLUG<br>WITH LATCH |         |  |
| TOLERANCES:             |               |               |  | CHECKED          | JHN | 2/7/2012                       |   |         |  |
| DECIMALS (INCH)         | DECIMALS (MM) | ANGLES        |  | MFG APPRV        | CHB | 2/7/2012                       |   |         |  |
| .XX ± .015              | .X ± .38      | ±.5°          |  | QC APPRV         | UFN | 2/7/2012                       |   |         |  |
| .XXX ± .005             | .XX ± .13     |               |  | ENG APPRV        | BD  | 2/7/2012                       | SIZE<br>A   |         |  |
| SURFACE FINISH:         |               |               |  | MATERIAL:        |     | DWG NO.                        |   |         |  |
| MACHINED                |               | 128µin [3.2µ] |  | POLYCARBONATE    |     | 115141S1                       |   |         |  |
| MOLDED                  |               | 64µin [1.6µ]  |  | FINISH:          |     | REV.                           |   |         |  |
|                         |               |               |  | NONE             |     | 0                              |   |         |  |
| REV.                    |               |               |  | DESCRIPTION      |     |                                |   | SCALE   |  |
| APPRV                   |               |               |  | DATE             |     |                                |   | CADFILE |  |
| REVISIONS               |               |               |  |                  |     |                                |   | SHEET   |  |
|                         |               |               |  |                  |     |                                |   | 1 OF 1  |  |

|           |             |       |      |
|-----------|-------------|-------|------|
| REV.      | DESCRIPTION | APPRV | DATE |
| REVISIONS |             |       |      |



-CAD GENERATED DRAWING-  
DO NOT MANUALLY UPDATE  
DO NOT SCALE

8 7 6 5 4 3 2 1