

8 7 6 5 4 3 2 1

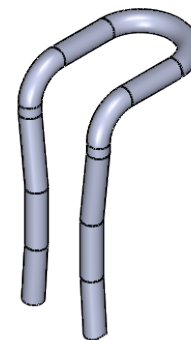
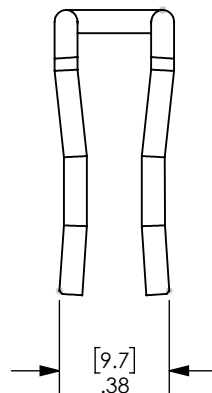
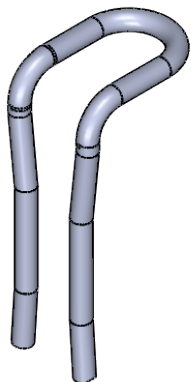
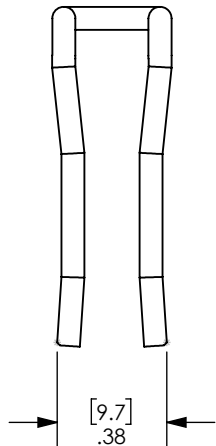
THE INFORMATION CONTAINED IN THIS DRAWING IS THE SOLE PROPERTY OF ANDERSON POWER PRODUCTS. ANY REPRODUCTION IN PART OR WHOLE WITHOUT THE WRITTEN PERMISSION OF ANDERSON POWER PRODUCTS IS PROHIBITED.

Copyright 2020

ANDERSON POWER PRODUCTS RESERVES THE RIGHT TO ALTER PRODUCT TYPES, THEIR TECHNICAL DATA, DIMENSION, STYLE AND ACCESSORIES WITHOUT PRIOR NOTIFICATION.

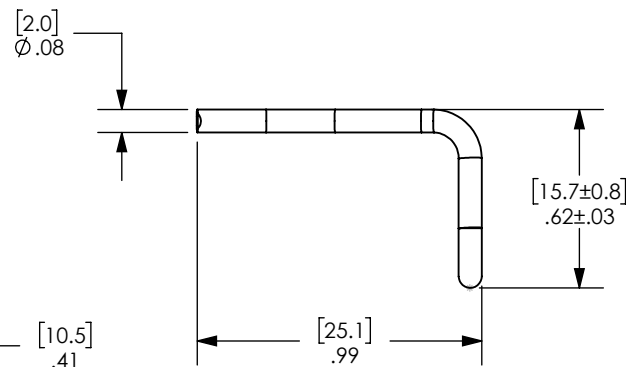
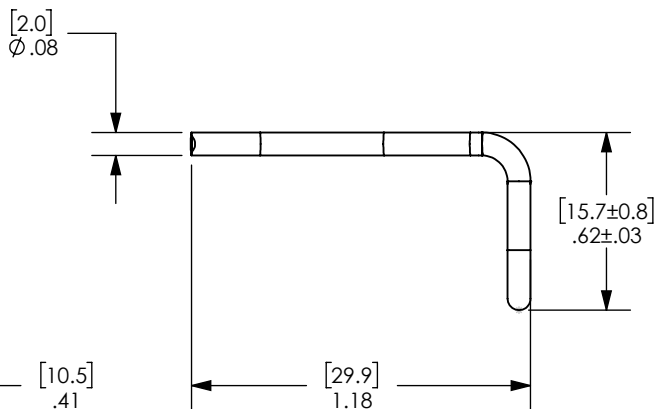
D

D



C

C



B

B

2-8675P1
FOR USE WITH SBX350 SBE320

2-8675P2
FOR USE WITH SBX175 SBE160 SBE80 SBO60

NOTES:

1. MATERIAL : Ø.080 [2mm] 302/304 STAINLESS STEEL

A

A

DIMENSIONS ARE IN: INCH [MM]		APPROVALS		<p>ANDERSON POWER PRODUCTS</p> <p>TITLE</p> <p>OUTLINE, 1X4 AUX. HOLDER CLIP</p>
UNLESS OTHERWISE STATED		DRAWN	CPD 11/12/2020	
TOLERANCES:		CHECKED	CHS 11/17/2020	
DECIMALS (INCH)	DECIMALS (MM)	ANGLES	PM APPRV	
.XX ±.02	.X ±.5	±2°	RW 11/17/2020	
SURFACE FINISH:		QC APPRV	UFN 11/17/2020	
MACHINED 128µin [3.2µ]		ENG APPRV	SH 11/17/2020	
MOLDED 64µin [1.6µ]		SIZE	A	
MATERIAL: SEE NOTE 1		DWG NO.	116026S	
FINISH:		SCALE	NONE	
		CADFILE	05601	
-CAD GENERATED DRAWING- DO NOT MANUALLY UPDATE DO NOT SCALE		SHEET	1 OF 1	
		REV.	0	

REV.	DESCRIPTION	APPRV	DATE
REVISIONS			

8 7 6 5 4 3 2 1