

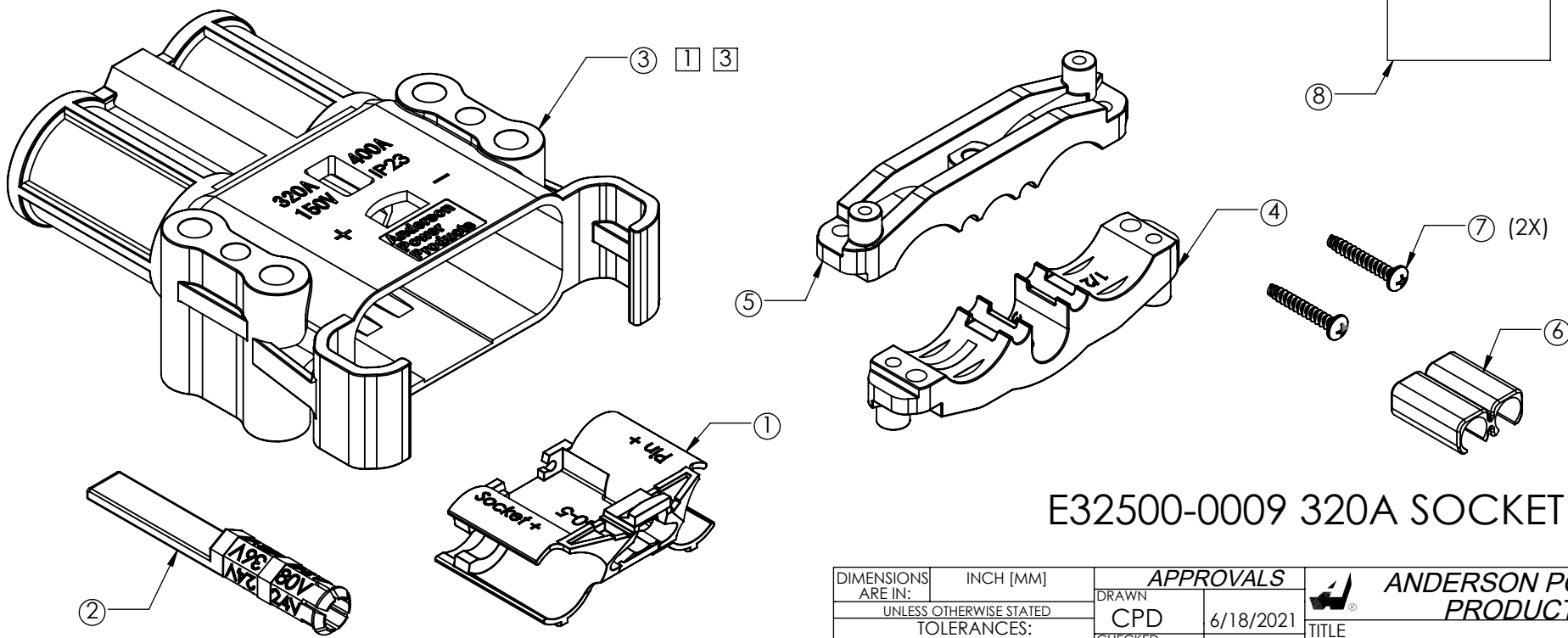
THE INFORMATION CONTAINED IN THIS DRAWING IS THE SOLE PROPERTY OF ANDERSON POWER PRODUCTS. ANY REPRODUCTION IN PART OR WHOLE WITHOUT THE WRITTEN PERMISSION OF ANDERSON POWER PRODUCTS IS PROHIBITED.

Copyright 2021

ANDERSON POWER PRODUCTS RESERVES THE RIGHT TO ALTER PRODUCT TYPES, THEIR TECHNICAL DATA, DIMENSION, STYLE AND ACCESSORIES WITHOUT PRIOR NOTIFICATION.

ITEM	QTY	P/N	DESCRIPTION	MATERIAL
1	1	EP320-5	CONTACT HOLDER	PBT/PC, ALLOY, BLACK
2	1	160-9	STANDARD VOLTAGE KEY	PBT, GRAY
3	1	EP320-2	SOCKET HOUSING	PBT/PC, ALLOY, BLACK
4	1	EP320-6A	CABLE CLAMP, TOP	PBT/PC, ALLOY, BLACK
5	1	EP320-7	CABLE CLAMP, BOTTOM	PBT/PC, ALLOY, BLACK
6	1	EP320-38	SUPPLEMENTAL AUX CONTACT HOLDER	PBT/PC, ALLOY, BLACK
7	2	H1120P46	S.T SCR.#4X3/4 PHIL.PAN HD.STL. ZINC	STEEL
8	1	1S6673	ASSEMBLY INSTRUCTIONS	

ASSEMBLY INSTRUCTIONS



E32500-0009 320A SOCKET KIT

DIMENSIONS ARE IN:	INCH [MM]	APPROVALS		<p>ANDERSON POWER PRODUCTS</p>
UNLESS OTHERWISE STATED		DRAWN	6/18/2021	
TOLERANCES:		CHECKED	7/9/2021	
DECIMALS (INCH) .XX ± .02		PM APPRV	7/12/2021	
DECIMALS (MM) .X ± .5		QC APPRV	7/16/2021	TITLE
ANGLES ±2°		ENG APPRV	7/16/2021	E SERIES DIN 320 AMP FEMALE CONNECTOR KIT WITHOUT CONTACTS
SURFACE FINISH:		SIZE	DWG NO.	REV.
MACHINED 128µin [3.2µ]		A	116060S1	3
MOLDED 64µin [1.6µ]		SCALE	CADFILE	SHEET
MATERIAL:		NONE	05726	1 OF 1
FINISH:		-CAD GENERATED DRAWING- DO NOT MANUALLY UPDATE DO NOT SCALE		

REV	DESCRIPTION	APPROVED	DATE
3	ECN 2024-0081 - LOGO IMAGE CORRECTED	CPD	6/14/2024
2	ECN 2023-0084 - CHANGED TO BLACK PBT MATERIAL FOR E SERIES	CPD	9/5/2023
1	ECN 2023-0049 - UPDATED PER EN1175:2020	CPD	6/23/2023