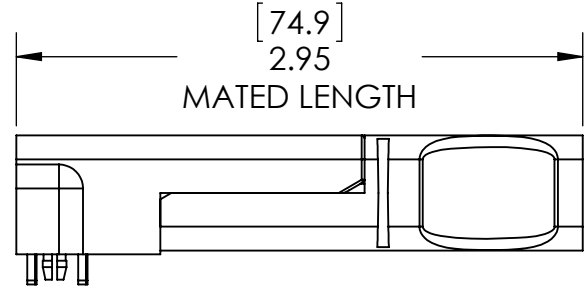
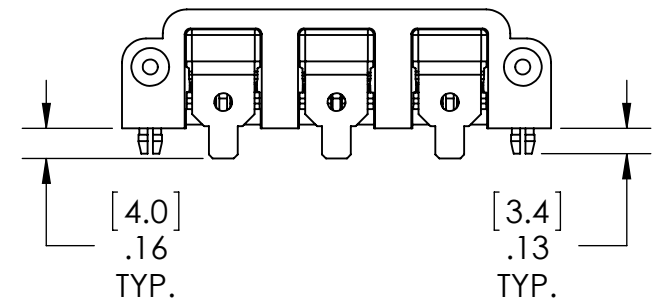
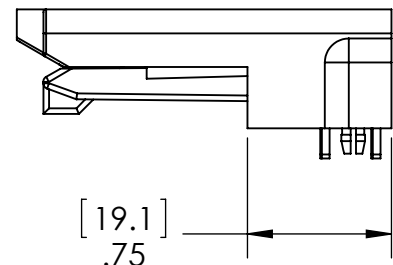
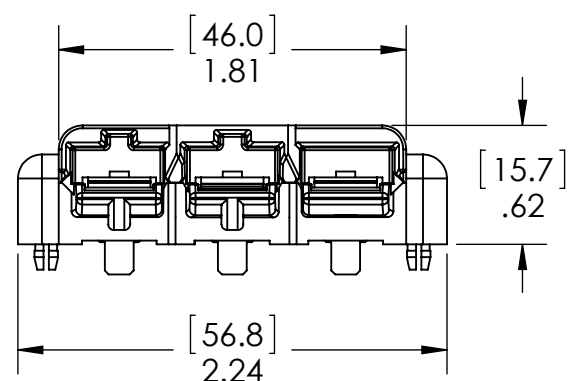
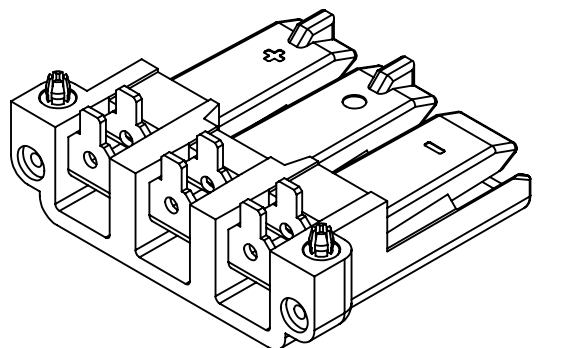
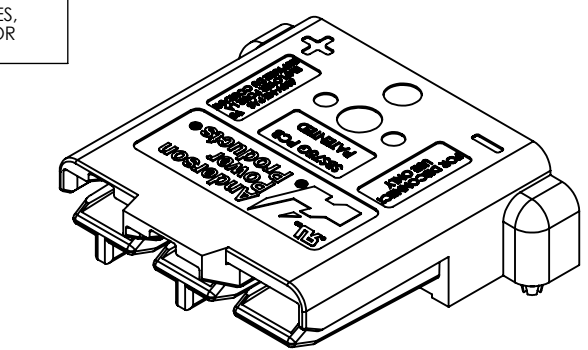
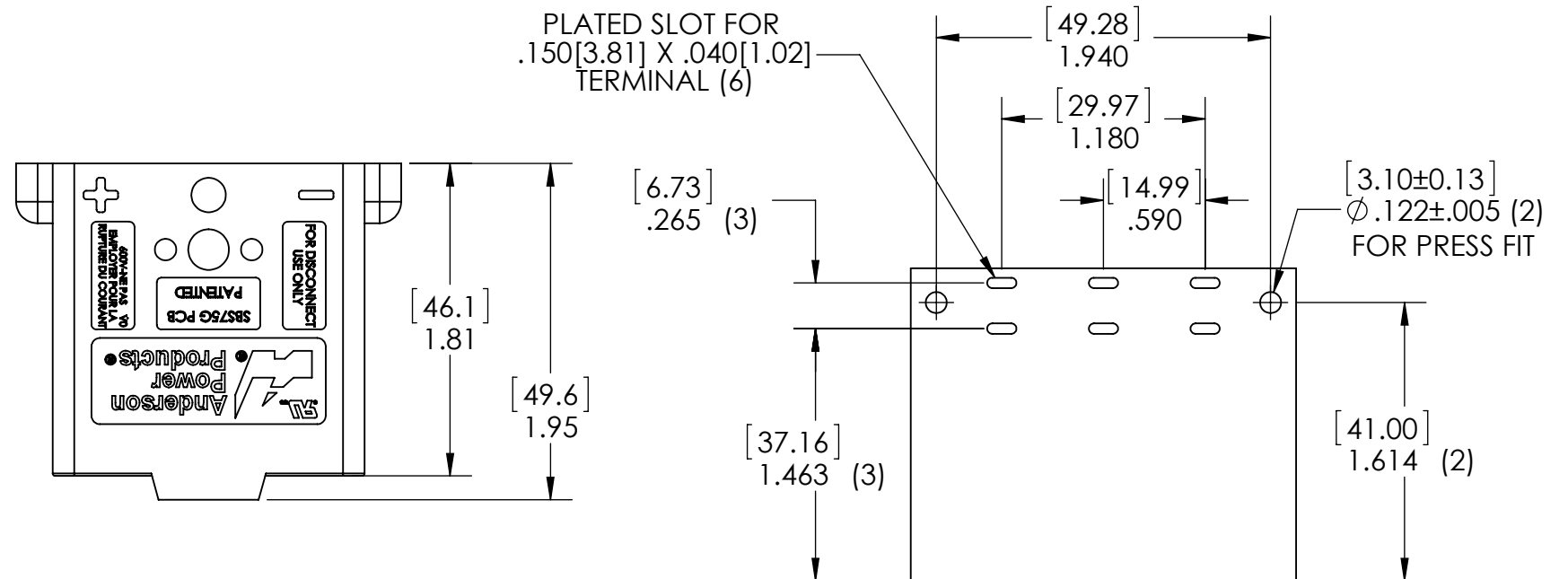
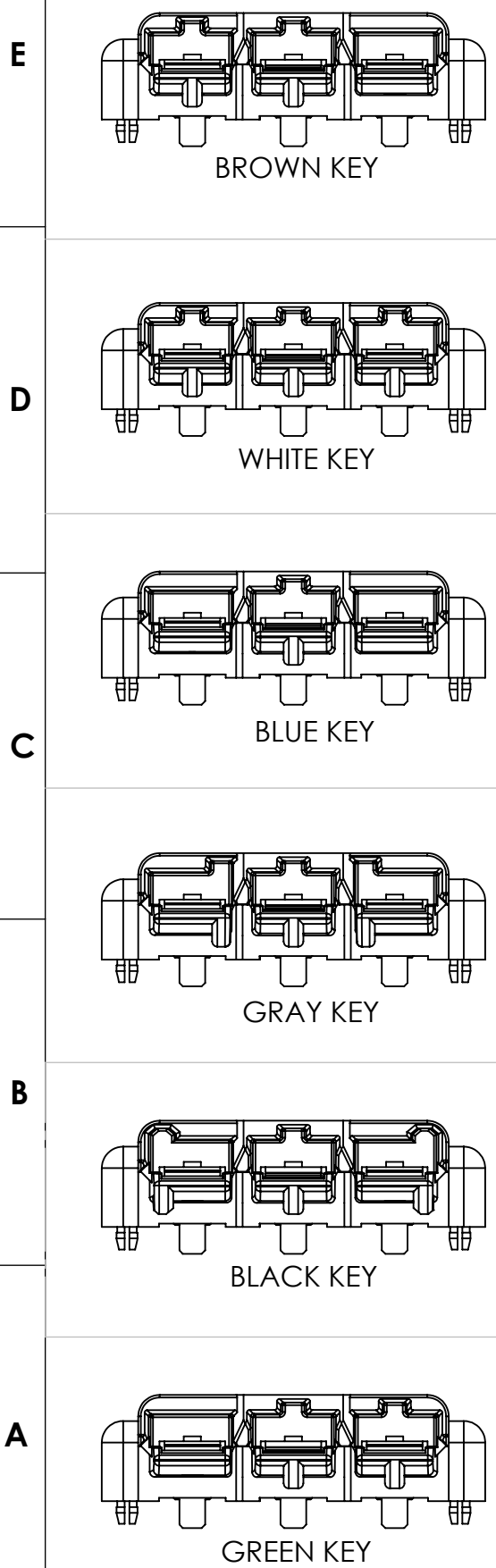


THE INFORMATION CONTAINED IN THIS DRAWING IS THE SOLE PROPERTY OF ANDERSON POWER PRODUCTS. ANY REPRODUCTION IN PART OR WHOLE WITHOUT THE WRITTEN PERMISSION OF ANDERSON POWER PRODUCTS IS PROHIBITED.

Copyright 2011

ANDERSON POWER PRODUCTS RESERVES THE RIGHT TO ALTER PRODUCT TYPES, THEIR TECHNICAL DATA, DIMENSION, STYLE AND ACCESSORIES WITHOUT PRIOR NOTIFICATION.



- NOTES:
1. HOUSING MATERIAL: POLYCARBONATE
 2. CONTACT MATERIAL: COPPER ALLOY WITH TIN PLATE
 3. CONTACT FACTORY FOR ADDITIONAL COLORS & KEYS

| COLOR | APP PART NUMBER |
|-------|-----------------|
| BROWN | NOT ASSIGNED |
| WHITE | NOT ASSIGNED |
| BLUE | NOT ASSIGNED |
| GRAY | NOT ASSIGNED |
| BLACK | SBS75GPRBLK |
| GREEN | NOT ASSIGNED |

| DIMENSIONS ARE IN: | INCH [MM] | APPROVALS | |
|--------------------------------------|-----------|-----------|-----------|
| UNLESS OTHERWISE STATED | | DRAWN | |
| TOLERANCES: | | NTS | 6/15/2011 |
| DECIMALS (INCH) DECIMALS (MM) ANGLES | | CHECKED | |
| .XX ±.02 .X ±.5 ±2° | | LLD | 6/16/2011 |
| SURFACE FINISH: | | MFG APPRV | |
| MACHINED 64 [1.6] | | BD | 6/16/2011 |
| MOLDED 32 [0.8] | | QC APPRV | |
| MATERIAL: SEE NOTES | | UFN | 6/16/2011 |
| FINISH: | | ENG APPRV | |
| | | BD | 6/16/2011 |

ANDERSON POWER PRODUCTS

TITLE
APP KEYING OUTLINE FOR SBS75G PCB THREE POLE CONNECTOR

SIZE B DWG NO. B02108S3 REV. 0

SCALE NONE CADFILE 03371 SHEET 1 OF 1

| REV. | DESCRIPTION | APPRV | DATE |
|-----------|-------------|-------|------|
| REVISIONS | | | |

3rd ANGLE PROJECTION

-CAD GENERATED DRAWING- DO NOT MANUALLY UPDATE DO NOT SCALE