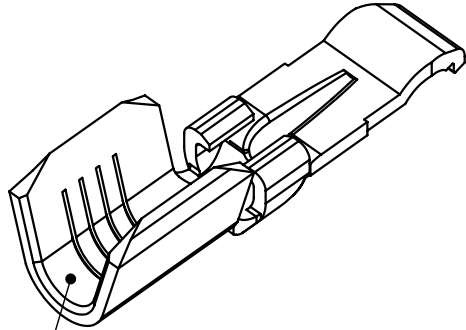
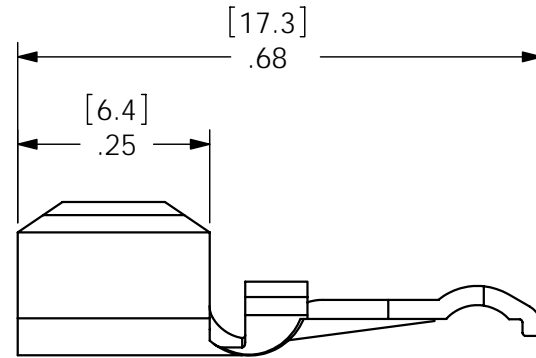
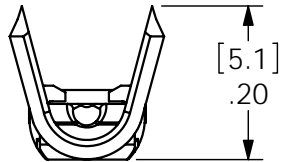
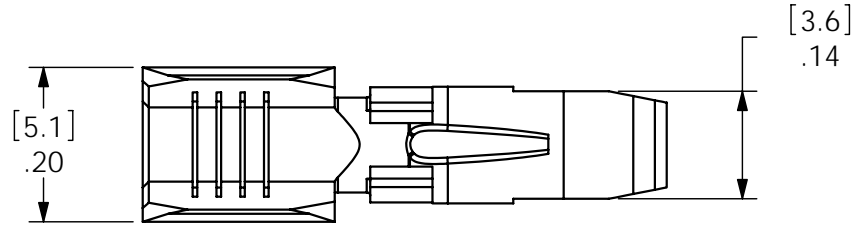


THE INFORMATION CONTAINED IN THIS DRAWING IS THE SOLE PROPERTY OF ANDERSON POWER PRODUCTS. ANY REPRODUCTION IN PART OR WHOLE WITHOUT THE WRITTEN PERMISSION OF ANDERSON POWER PRODUCTS IS PROHIBITED.

REV	DESCRIPTION OF CHANGES	BY:	DATE
2	ECRN: 13212 - REDRAWN	CMS	6/15/99
3	ECRN: 14110 - REDRAWN	AMS	2/28/07



BARREL FOR
#10-14 AWG WIRE



ITEM NO.	PART OR IDENTIFYING NO.	NOMENCLATURE OR DESCRIPTION	MATERIAL SPECIFICATION	QTY RECD
COPYRIGHT 1999 ANDERSON POWER PRODUCTS. ALL RIGHTS RESERVED. UNAUTHORIZED REPRODUCTION HEREBY PROHIBITED.				
DIMENSIONS ARE IN INCHES DIMENSIONS IN PARENTHESES [] ARE IN MILLIMETERS		CAD GENERATED DRAWING, DO NOT MANUALLY UPDATE		ANDERSON POWER PRODUCTS
TOLERANCES ARE: 2PL- ±.02 [±.5]		APPROVALS	DATE	CATALOG #261G2 30-45 AMP CONTACT FOR REEL TYPE "F" CRIMP
MATERIALS: <i>COPPER</i>		DRAWN	AC 3/11/94	
FINISH <i>HOT TIN DIP</i>		CHECKED	DJD 3/11/94	
NEXT ASSY USED ON		RESP ENG	UFN 3/11/94	
APPLICATION		MFG ENG	CHB 3/11/94	SIZE A SPECIFICATION: 112718S4
		QUAL ENG	HN 3/11/94	REV. 3
		SCALE NONE		FILE: CADFILES/01037
				SHEET 1 OF 1