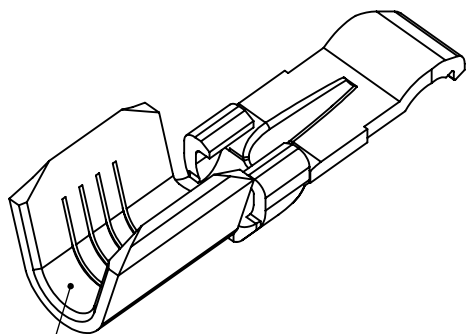


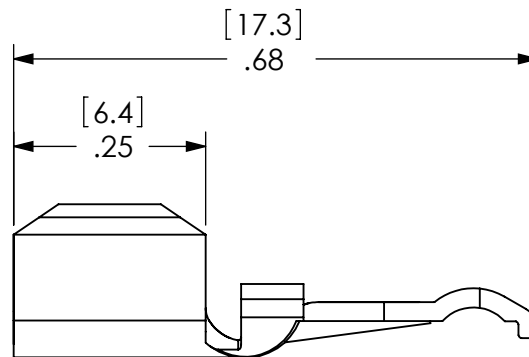
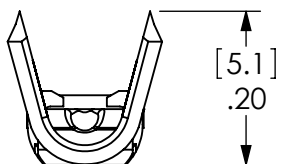
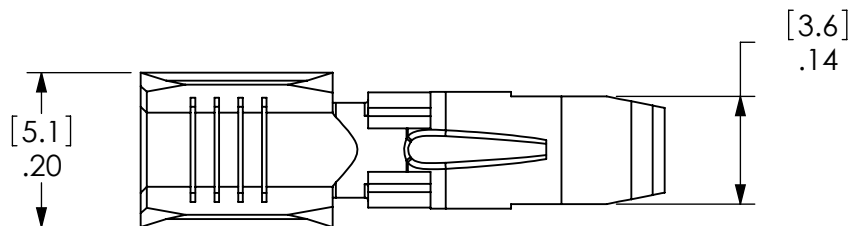
THE INFORMATION CONTAINED IN THIS DRAWING IS THE SOLE PROPERTY OF ANDERSON POWER PRODUCTS. ANY REPRODUCTION IN PART OR WHOLE WITHOUT THE WRITTEN PERMISSION OF ANDERSON POWER PRODUCTS IS PROHIBITED.

Copyright 2009

ANDERSON POWER PRODUCTS RESERVES THE RIGHT TO ALTER PRODUCT TYPES, THEIR TECHNICAL DATA, DIMENSION, STYLE AND ACCESSORIES WITHOUT PRIOR NOTIFICATION.



BARREL FOR
#10-14 AWG WIRE



DIMENSIONS ARE IN: INCH[MM]		APPROVALS		ANDERSON POWER PRODUCTS				
UNLESS OTHERWISE STATED		DRAWN	NTS			6/18/09		
TOLERANCES:		CHECKED	DJD	6/18/09	TITLE			
DECIMALS (INCH)	DECIMALS (MM)	ANGLES	MFG APP	CHB	6/18/09	CATALOG #261G3 PP45 REEL CONTACT TYPE "F" CRIMP		
.XX ± .02	.X ± .5	±2°	QC APP	UFN	6/18/09			
SURFACE FINISH:		ENG APP		BD	6/18/09	SIZE	DWG NO.	REV.
MACHINED	128 [3.2]					A/A4	112718S7	0
MOLDED	64 [1.6]					SCALE	CADFILE	SHEET
MATERIAL:	COPPER				NONE		02926	1 OF 1
FINISH:	SILVER PLATE							

*	*****	***	*****
REV.	DESCRIPTION OF CHANGES	APPROVED	DATE



-CAD GENERATED DRAWING-
DO NOT MANUALLY UPDATE
DO NOT SCALE