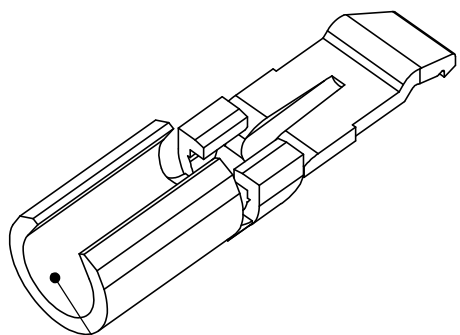


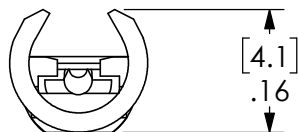
THE INFORMATION CONTAINED IN THIS DRAWING IS THE SOLE PROPERTY OF ANDERSON POWER PRODUCTS. ANY REPRODUCTION IN PART OR WHOLE WITHOUT THE WRITTEN PERMISSION OF ANDERSON POWER PRODUCTS IS PROHIBITED.

Copyright 2016

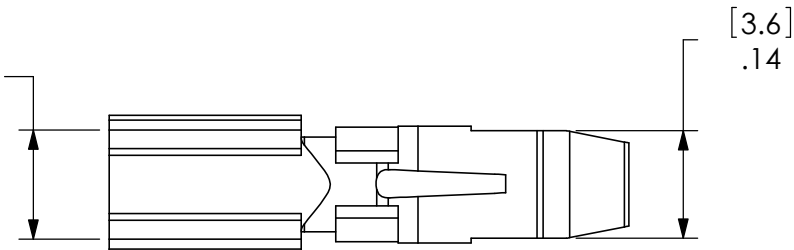
ANDERSON POWER PRODUCTS RESERVES THE RIGHT TO ALTER PRODUCT TYPES, THEIR TECHNICAL DATA, DIMENSION, STYLE AND ACCESSORIES WITHOUT PRIOR NOTIFICATION.



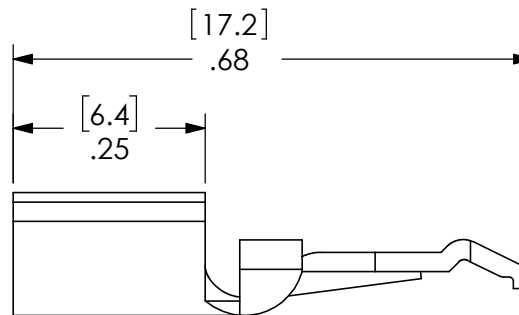
BARREL SIZED FOR #16-20 AWG WIRE



[3.6]
.14



[3.6]
.14



[17.2]
.68

[6.4]
.25

DIMENSIONS ARE IN:		INCH [MM]		APPROVALS		ANDERSON POWER PRODUCTS			
UNLESS OTHERWISE STATED				DRAWN		TITLE			
TOLERANCES:				CMS 6/29/1999					
DECIMALS (INCH)		DECIMALS (MM)		CHECKED		CATALOG NUMBER 269G2 15 AMP HIGH DENTENT CONTACT FOR REEL TRYPE "F" CRIMP #16-20 WIRE			
.XX ± .02		.X ± .5		DJD 6/30/1999					
SURFACE FINISH:				PM APPRV				SIZE	
MACHINED		128µin [3.2µ]		CHB 6/30/1999					
MOLDED		64µin [1.6µ]		QC APPRV		DWG NO.			
				RPO 6/30/1999					
MATERIAL:				ENG APPRV		REV.			
COPPER				UFN 6/30/1999		A 113967S2 2			
FINISH:				-CAD GENERATED DRAWING-					
HOT TIN DIP				DO NOT MANUALLY UPDATE					
				DO NOT SCALE					
3rd ANGLE PROJECTION				SCALE		CADFILE			
				NONE		01062			
				SHEET		1 OF 1			

2	ECN 2016-0073	CPD	10/14/2016
---	---------------	-----	------------

REV.	DESCRIPTION OF CHANGES	APPROVED	DATE
------	------------------------	----------	------