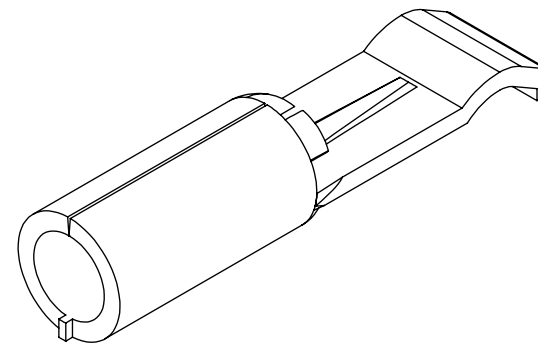
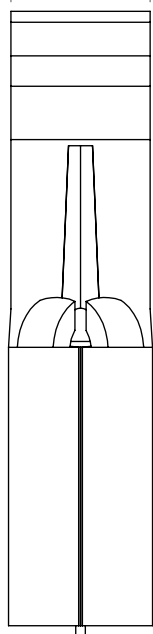


THE INFORMATION CONTAINED IN THIS DRAWING IS THE SOLE PROPERTY OF ANDERSON POWER PRODUCTS. ANY REPRODUCTION IN PART OR WHOLE WITHOUT THE WRITTEN PERMISSION OF ANDERSON POWER PRODUCTS IS PROHIBITED.

**Copyright 1997**

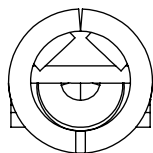
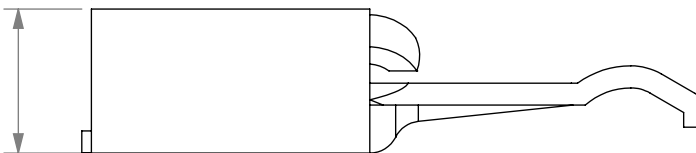
ANDERSON POWER PRODUCTS RESERVES THE RIGHT TO ALTER PRODUCT TYPES, THEIR TECHNICAL DATA, DIMENSION, STYLE AND ACCESSORIES WITHOUT PRIOR NOTIFICATION.

[3.7]  
.15



[16.3]  
.64

[7.4]  
.29



[3.8]  
.15

DIMENSIONS ARE IN:		INCH [MM]		<i>APPROVALS</i>		<b>ANDERSON POWER PRODUCTS</b>													
UNLESS OTHERWISE STATED				<b>DRAWN</b>	RLE	3/11/1997													
TOLERANCES:				<b>CHECKED</b>	DJD	10/9/2001													
DECIMALS (INCH)	DECIMALS (MM)	ANGLES		<b>MFG APPRV</b>	CHB	10/21/2001													
.XX ± .02	.X ± .5	±2°		<b>QC APPRV</b>	RPO	10/10/2001													
SURFACE FINISH:				<b>ENG APPRV</b>	UFN	3/11/1997													
MACHINED		128µin [3.2µ]		<table border="1"> <tr> <td><b>SIZE</b></td> <td>A</td> <td><b>DWG NO.</b></td> <td>114018S2</td> <td><b>REV.</b></td> <td>3</td> </tr> <tr> <td><b>SCALE</b></td> <td>NONE</td> <td><b>CADFILE</b></td> <td>01057</td> <td><b>SHEET</b></td> <td>1 OF 1</td> </tr> </table>				<b>SIZE</b>	A	<b>DWG NO.</b>	114018S2	<b>REV.</b>	3	<b>SCALE</b>	NONE	<b>CADFILE</b>	01057	<b>SHEET</b>	1 OF 1
<b>SIZE</b>	A	<b>DWG NO.</b>	114018S2					<b>REV.</b>	3										
<b>SCALE</b>	NONE	<b>CADFILE</b>	01057	<b>SHEET</b>	1 OF 1														
MOLDED		64µin [1.6µ]																	
<b>MATERIAL:</b>				-CAD GENERATED DRAWING- DO NOT MANUALLY UPDATE DO NOT SCALE															
COPPER																			
<b>FINISH:</b>																			
SILVER PLATE																			
3rd ANGLE PROJECTION																			

REV.	DESCRIPTION	APPRV	DATE
3	ECRN-15550	TWE	1/15/2014
2	ECRN-13433	CMS	10/23/01
1	ECRN-13220 REDRAWN	CMS	8/25/99

REVISIONS