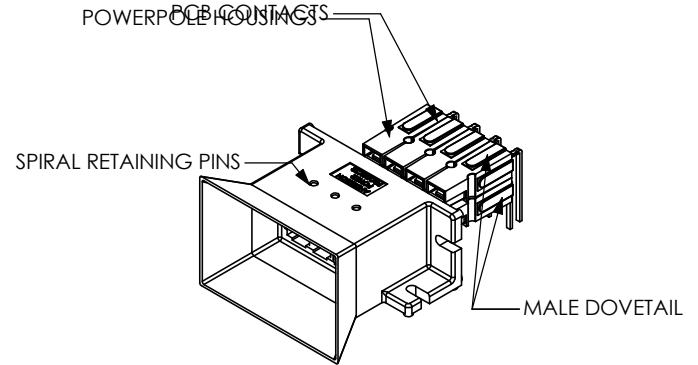
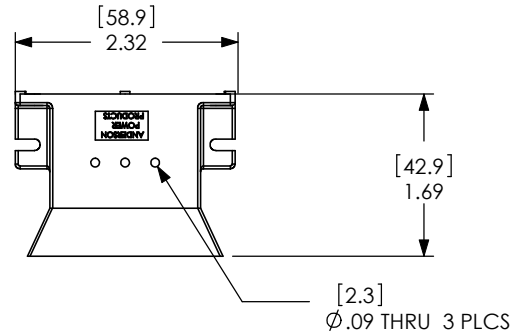
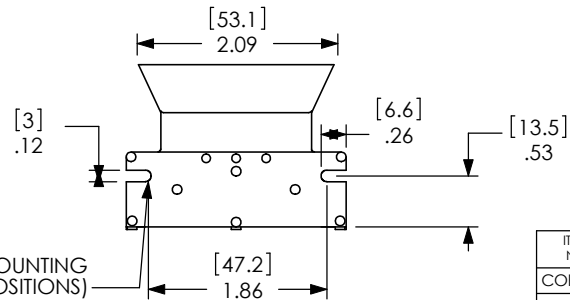
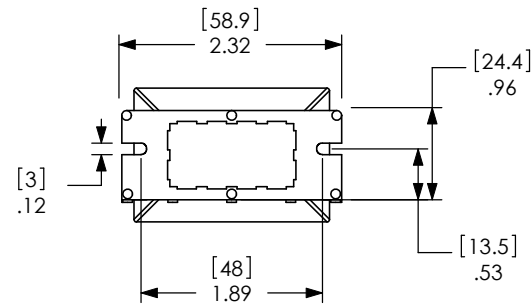
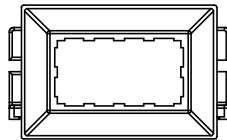
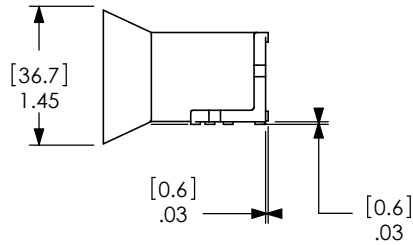


THE INFORMATION CONTAINED IN THIS DRAWING IS THE SOLE PROPERTY OF ANDERSON POWER PRODUCTS. ANY REPRODUCTION IN PART OR WHOLE WITHOUT THE WRITTEN PERMISSION OF ANDERSON POWER PRODUCTS IS PROHIBITED.



TYPICAL ASSEMBLY FOR PCB MOUNTING



#4-40 SCREW MOUNTING LOCATION (4 POSITIONS)

NOTES:
REFER TO BLINDMATE ORDER FORM FOR POSSIBLE CONFIGURATIONS
FOR ASSEMBLY INSTRUCTIONS REFER TO POWERPOLE PAK
ASSEMBLY INSTRUCTIONS

ITEM NO.	PART OR IDENTIFYING NO.	NOMENCLATURE OR DESCRIPTION	MATERIAL SPECIFICATION	QTY REQD
COPYRIGHT 2001 ANDERSON POWER PRODUCTS. ALL RIGHTS RESERVED. UNAUTHORIZED REPRODUCTION HEREBY PROHIBITED.				
DIMENSIONS ARE IN INCHES DIMENSIONS IN PARENTHESES [] ARE IN MILLIMETERS		CAD GENERATED DRAWING. DO NOT MANUALLY UPDATE		ANDERSON POWER PRODUCTS
TOLERANCES ARE: 2PL- ±.02 [±.5]		APPROVALS	DATE	
MATERIALS: UL94-V0		DRAWN	CMS	3/2/01
FINISH AS MOLDED		CHECKED	DJD	3/12/01
NEXT ASSY		USED ON	RESP ENG	UFN
APPLICATION		DO NOT SCALE DRAWING	MFG ENG	CHB
			QUAL ENG	RPO
			DATE	3/19/01
			SCALE	NONE
			CADFILES/01389	SHEET 1 OF 1
			SIZE	C
			SPECIFICATION:	2-8349S1
			REV.	0