

SBS® Mini Connectors

Up to 52 amps



SBS® Mini Connector series is our smallest DC power connector in the SBS® group. The SBS® Mini securely holds two crimp and poke contacts with sacrificial tips to enable hot swap capabilities on DC circuits. The low resistance contacts accept 20 to 10 AWG (0.52 to 5.3 mm²) wires allowing up to 52 amps of UL rated performance per position.

- **Touch Safe Housing**
Minimizes potential contact with live circuits
- **Color-Coded Mechanical Key**
Prevents accidental mating of connectors operating at different voltage levels
- **Compact & Ergonomic Housing**
Is "user friendly" during connection and disconnection of the system
- **UL Hot Plug Rated to 45 Amps @ 72 Volts**
Good for applications where the ability to interrupt circuits is required

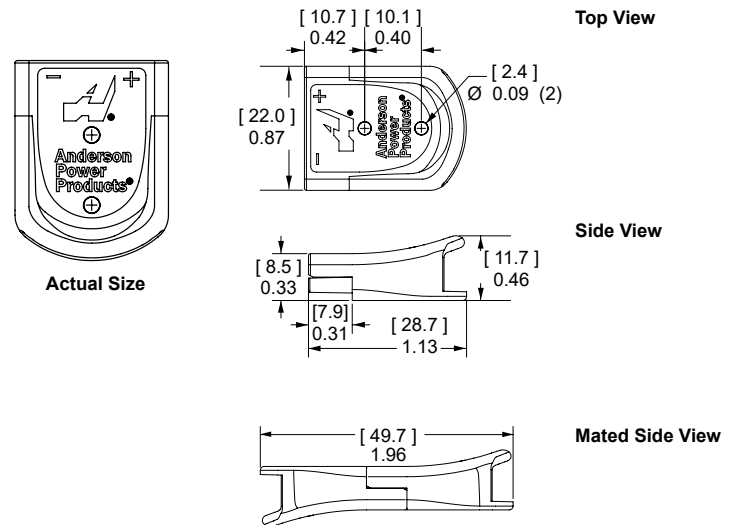
SBS® MINI

SBS® MINI ORDERING INFORMATION

SBS® Mini Housing

The smallest SBS® connector has 2 finger proof positions in a polycarbonate housing with an ergonomic grip. The housing securely holds crimp and poke contacts from the popular Powerpole® 15/45 series connectors.

Description	Part Numbers
Minimum Quantity	100
Red	B02265G1
Black	B02265G2
Blue	B02265G3
Gray	B02265G4



SBS® Mini Cable Clamp Assembly Kit

Insert Cable Clamp into middle position of housing, securing with pins and using a wire tie to secure wires. Kit includes clamp and 2 pins only. Wire ties sold separately.

Description	Part Numbers	in.	mm
Minimum Quantity	1,000		
Gray Clamp Kit, Gray	B02597G4	1.15 x 0.34	29.1 x 8.60
Cable Wire Tie	H1835P11	4 x 0.10	100 x 2.50

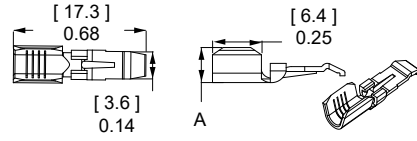


PP15/45 Tin Plated Power Contacts

Offer cost effective performance up to 200 mating cycles. See specifications and temperature charts for amperage ratings by wire size.

Barrel	AWG	mm ²	Loose Piece Part Numbers	Reeled Part Numbers	Dimensions - A -	
					inches	mm
Minimum Quantity			200	5,000		
Open	20 to 16	0.52 to 1.3	262G1-LPBK	262G1	0.16	4.06
Open	16 to 12	1.3 to 3.3	261G1-LPBK	261G1	0.18	4.57
Open	14 to 10 K*	2.1 to 5.3	261G2-LPBK	261G2	0.20	5.08

K* - For 10 AWG class K stranded wire or smaller.



PP15/45 Silver Plated Power Contacts

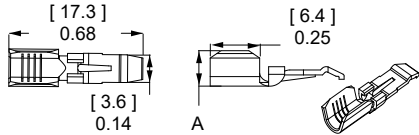
Maximize performance by offering up to 1,500 mating cycles. Recommended for circuit interrupt or hot plug applications. See specifications and temperature charts for amperage ratings by wire size.

Only closed barrel contacts are suitable for soldering.

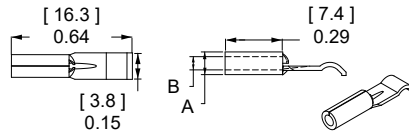
Barrel	AWG	mm ²	Loose Piece Part Numbers	Reeled Part Numbers	Dimensions				
					- A -		- B -		
					inches	mm	inches	mm	
Minimum Quantity			5,000	200	5,000				
Closed	20 to 16	0.52 to 1.3	1332-BK	1332	-	0.12	3.05	0.07	1.78
Closed	16 to 12	1.3 to 3.3	1331-BK	1331	-	0.15	3.81	0.10	2.54
Open	20 to 16	0.52 to 1.3	-	262G2-LPBK	262G2	0.16	4.06	-	-
Open	14 to 10 K*	2.1 to 5.3	-	261G3-LPBK	261G3	0.20	5.08	-	-

K* - For 10 AWG class K stranded wire or smaller.

Open Barrel Contact



Closed Barrel Contact



SBS® Mini - Tooling Information

Wire Size		Open Closed Barrel	Loose Piece Part Numbers		Hand Tool	OR	Reeled Part Numbers		Reeled Contact Crimp Tools	
AWG	mm ²		Tin Plating	Silver Plating			Tin Plating	Silver Plating	APP® Applicator	APP® Press
20 to 16	0.52 to 1.3	Closed	N/A	1332 / 1332-BK	1309G2 or 1309G8		N/A	N/A	N/A	N/A
16 to 12	1.3 to 3.3	Closed	N/A	1331 / 1331-BK						
20 to 16	0.52 to 1.3	Open	262G1-LPBK	262G2-LPBK	1309G3 or 1309G8		262G1	262G2	TD0101	115V = TE0101 230V = TE0102
16 to 12	1.3 to 3.3	Open	261G1-LPBK	N/A			261G1	N/A		
14 to 10 K*	2.1 to 5.3	Open	261G2-LPBK	261G3-LPBK			261G2	261G3		

Insertion / Extraction Tool 111038G2

K* - For 10 AWG class K stranded wire or smaller.

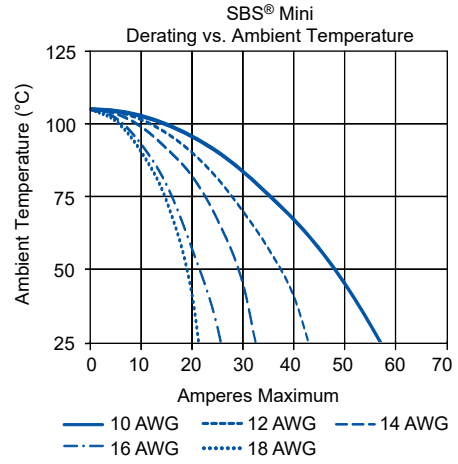
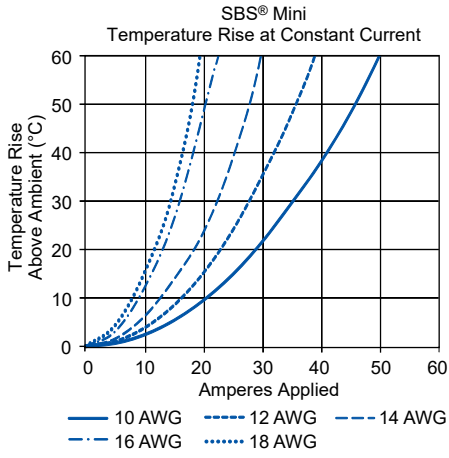


Need More Than 2 Positions?

See the stackable Powerpole® 15 to 45 connectors. These single position connectors use the same contact system as SBS® Mini and can be stacked together to create custom multiple position configurations.

SBS® Mini CONNECTOR TEMPERATURE CHARTS - Temperature rise charts are based on a 25°C ambient temperature.

Current - Temperature Derating per IEC 60512-5-2 Test 5B



SBS® MINI

SBS® MINI SPECIFICATIONS

ELECTRICAL

Current Rating Amperes ¹	UL 1977	CSA
10 AWG	52	35
12 AWG	41	28
14 AWG	31	23
16 AWG	24	16
18 AWG	20	15

Voltage Rating AC/DC	
UL 1977	600

Dielectric Withstanding Voltage	
Volts AC	2,200

Avg. Mated Contact Resistance Milliohms ²	
Wire Contact with 5/8" of 16 AWG	0.875
Wire Contact with 5/8" of 12 AWG	0.600
Wire Contact with 5/8" of 10 AWG	0.525

UL Hot Plug Current Rating Amperes ³	
250 Cycles at 72V DC	45A

MATERIALS

Housing

Plastic Resin	Polycarbonate
Contact Retention Spring	Stainless Steel

Housing Flammability Rating

UL94	V-0
Glow Wire	960°C (GWFI) / 800°C (GWIT)

Contact

Base	Copper Alloy
Plating	Tin or Silver

Contact Termination Methods

Crimp ³	Wire Contacts
Hand Solder	1331 & 1332

MECHANICAL

Wire Size Range	AWG	mm ²
	20 to 10	0.52 to 5.3

Max. Wire Insulation Diameter	in.	mm
	0.183	4.65

Operating Temperature	°F	°C
	-4° to 221°	-20° to 105°

Mating Cycles No Load by Plating	Silver (Ag)	Tin (Sn)
10 to 12 AWG	1,500	200
14 to 18 AWG	8,000	200

Avg. Mating / Unmating Force ⁴	Lbf.	N
10 AWG	10 to 11	45 to 49
12 to 18 AWG	4 to 7	17 to 31

Min. Contact / Spring Retention Force	Lbf.	N
	20	90



NOTE 1: See IEC 60664-1 for working voltage.

- 1 - Based on: 105°C rated or better cable of the largest size. Properly calibrated APP® recommended tooling, and a 25°C ambient temperature. UL rating not to exceed the maximum operating temperature. CSA rating below a 30°C temperature rise.
- 2 - Use APP® recommended tooling only. Alternate tools may adversely affect the performance of our connectors along with UL and CSA recognition.
- 3 - Based on 261G3 with 10 AWG wire.
- 4 - Contact customer service for contacts with a higher disconnect force.

IEC INFORMATION

Connector Series	Configurations	Creepage / Clearance per IEC 60950-1	Material Group
SBS® Mini	Unmated	1.47 mm	IIla
	Mated	2.40 mm	

PROTECTION

Touch Safety

UL 1977 Sec. 10.2	Pass
IEC 60950	Pass
IEC 60529	IP20



Your Best Connection™

2020-0055 DS-SBSMINI REV C7

Anderson™ will use reasonable efforts to include accurate and up-to-date content in the data sheet. All product information contained in the data sheet including ordering information, illustrations, specifications, and dimensions, are believed to be reliable as of the date of publishing, but is subject to change without notice. Anderson™ makes no warranty or representation as to its accuracy. Content in the data sheet may contain technical inaccuracies, typographical errors and may be changed or updated without notice. Anderson™ may also make improvements and/or changes to the products and/or to the programs described in the content at any time without notice. Current sales drawings and specifications are available upon request.

©2020 Anderson Power Products, Inc. All rights reserved. APP®, A®, Anderson Power Products®, SBS® and the APP Logo are registered trademarks of Anderson Power Products, Inc. Anderson™ and Your Best Connection™ are trademarks of Anderson Power Products, Inc.