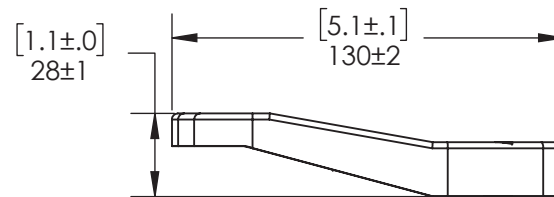
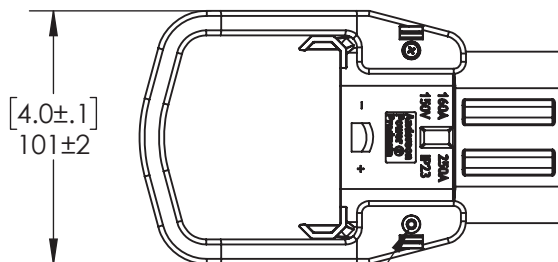
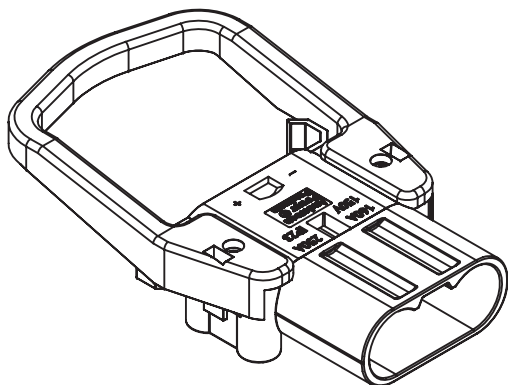


THE INFORMATION CONTAINED IN THIS DRAWING IS THE SOLE PROPERTY OF ANDERSON POWER PRODUCTS. ANY REPRODUCTION IN PART OR WHOLE WITHOUT THE WRITTEN PERMISSION OF ANDERSON POWER PRODUCTS IS PROHIBITED.

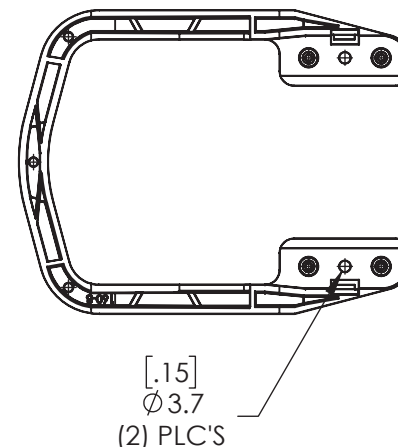
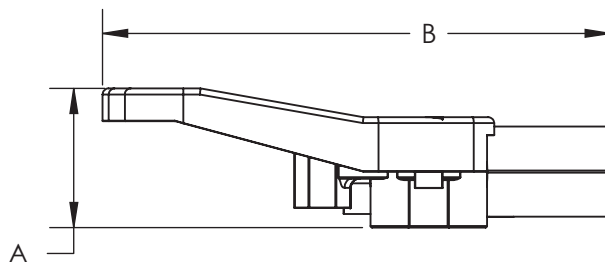
Copyright 2006

ANDERSON POWER PRODUCTS RESERVES THE RIGHT TO ALTER PRODUCT TYPES, THEIR TECHNICAL DATA, DIMENSION, STYLE AND ACCESSORIES WITHOUT PRIOR NOTIFICATION.

THESE DIMENSIONS SHOWN WITH THE HANDLE MOUNTED ON THE HOUSINGS



DIM	A		B	
	mm ±1	IN ±.04	mm ±2	IN ±.1
ON 160	47.0	1.85	169	6.7
ON 320	54.5	2.15	175	6.9



NOTES:

- KIT INCLUDES HANDLE AND (2) SELF-TAPPING SCREWS
- FOR USE WITH 160A & 320A CONNECTORS

PART NO.	DESCRIPTION	COLOR	MATERIAL
E160-89	160/320 HANDLE KIT	BLACK	PBT-PC BLEND [4]
16-59	160/320 HANDLE KIT	BLACK	NYLON

REV.	DESCRIPTION	APPRV	DATE
4	ECN 2023-0087 - REPLACED GREY NYLOY F25 WITH BLACK PBT	CPD	9/18/2023
3	ECN 2016-0117	CMS	12/13/2016
2	ECRN 14064- UPDATE CATALOG NUMBERS	AMS	10/11/06
1	ECRN 13995 INCORRECT P/N LISTED	AMS	04/24/06

REVISIONS

DIMENSIONS ARE IN:	MM [INCH]	APPROVALS		ANDERSON POWER PRODUCTS TITLE SALES OUTLINE LOW PROFILE HANDLE FOR 160A AND 320A CONNECTORS
UNLESS OTHERWISE STATED		DRAWN	1/20/2006	
TOLERANCES:		AMS	1/20/2006	
DECIMALS (INCH) DECIMALS (MM) ANGLES		CHECKED	1/20/2006	
.XX ±.02 .X ±.5 ±2°		DJD	1/20/2006	
SURFACE FINISH:		PM APPRV	1/19/2006	
MACHINED 3.2µ [128µin]		CHB	1/19/2006	
MOLDED 1.6µ [64µin]		QC APPRV	1/20/2006	
MATERIAL: SEE DATA SHEETS FOR MATERIAL SPECS		UFN	1/20/2006	
FINISH:		ENG APPRV	1/19/2006	
		DAM	1/19/2006	
3rd ANGLE PROJECTION		-CAD GENERATED DRAWING- DO NOT MANUALLY UPDATE DO NOT SCALE		SIZE A DWG NO. E160-8S1 REV. 4
		SCALE NONE CADFILE 02497 SHEET 1 OF 1		