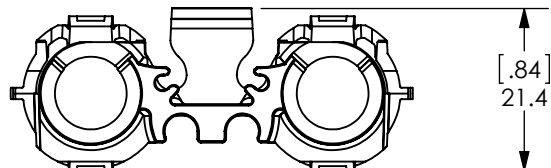
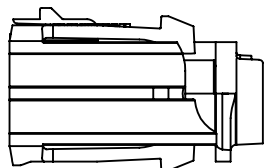
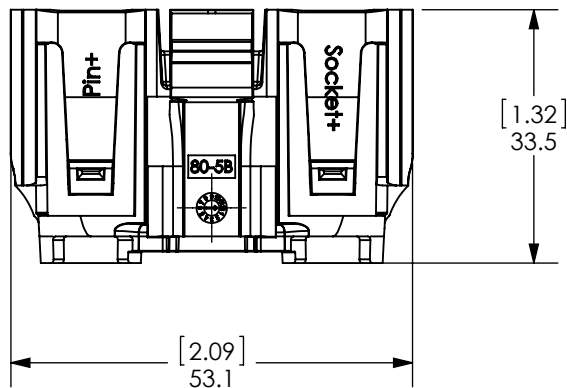
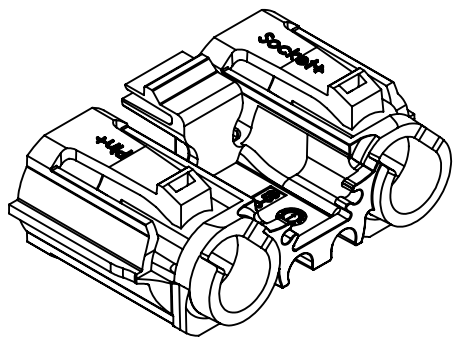


8 7 6 5 4 3 2 1

THE INFORMATION CONTAINED IN THIS DRAWING IS THE SOLE PROPERTY OF ANDERSON POWER PRODUCTS. ANY REPRODUCTION IN PART OR WHOLE WITHOUT THE WRITTEN PERMISSION OF ANDERSON POWER PRODUCTS IS PROHIBITED.

**Copyright 2013**

ANDERSON POWER PRODUCTS RESERVES THE RIGHT TO ALTER PRODUCT TYPES, THEIR TECHNICAL DATA, DIMENSION, STYLE AND ACCESSORIES WITHOUT PRIOR NOTIFICATION.



PART NO.	CONFIGURATION	MATERIAL	COLOR
80-5B	EBC/ ABC SERIES	PBT-PC BLEND	BLACK

DIMENSIONS ARE IN: MM [INCH]		<i>APPROVALS</i>		 <b>ANDERSON POWER PRODUCTS</b> TITLE SALES OUTLINE CONTACT HOLDERS FOR 80A DIN CONNECTORS
UNLESS OTHERWISE STATED		DRAWN MC	11/7/2013	
TOLERANCES: DECIMALS (INCH) DECIMALS (MM) ANGLES .XX ±.02 .X ±.5 ±2°		CHECKED CLY	11/20/2013	
SURFACE FINISH: MACHINED 3.2µ [128µin] ✓ MOLDED 1.6µ [64µin] ✓		MFG APPRV CHB	11/13/2013	
MATERIAL: SEE TABLE		QC APPRV UFN	11/13/2013	
FINISH: SPI-B1		ENG APPRV BD	11/13/2013	SIZE A
		-CAD GENERATED DRAWING- DO NOT MANUALLY UPDATE DO NOT SCALE		DWG NO. 115317s1
				SCALE NONE
				CADFILE 04091
				SHEET 1 OF 1

REV.	DESCRIPTION	APPRV	DATE
2	ECRN 15879 - REDESIGNED LATCH	JYL	2/17/2016
1	ECRN 15630- REMOVED TYPO NUMBER	4/29/2014	4/29/2014
REVISIONS			

8 7 6 5 4 3 2 1