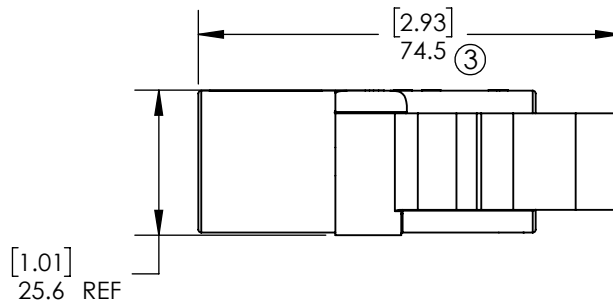
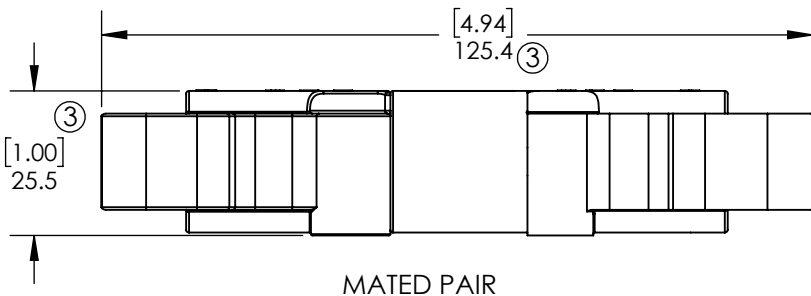
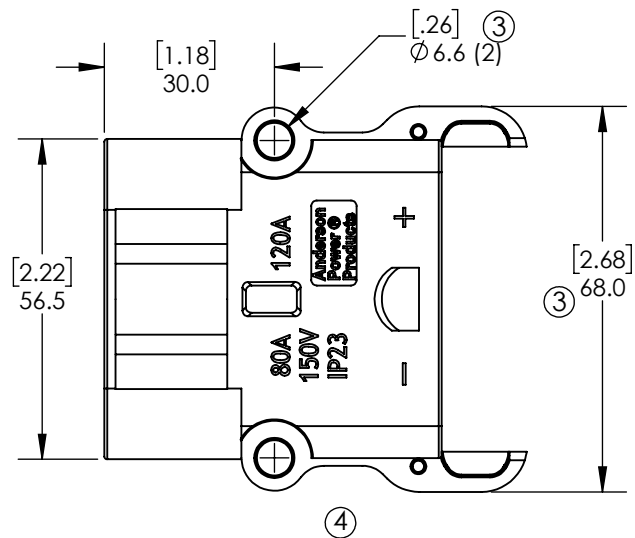
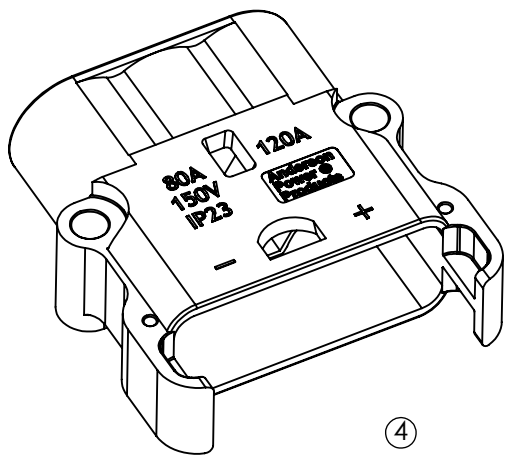


THE INFORMATION CONTAINED IN THIS DRAWING IS THE SOLE PROPERTY OF ANDERSON POWER PRODUCTS. ANY REPRODUCTION IN PART OR WHOLE WITHOUT THE WRITTEN PERMISSION OF ANDERSON POWER PRODUCTS IS PROHIBITED.

Copyright 2017


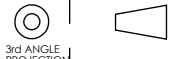
ANDERSON POWER PRODUCTS RESERVES THE RIGHT TO ALTER PRODUCT TYPES, THEIR TECHNICAL DATA, DIMENSION, STYLE AND ACCESSORIES WITHOUT PRIOR NOTIFICATION.



PART NO.	DESCRIPTION	MATERIAL	COLOR
80-1	ABC PIN HSG. (80A)	NYLON	BLACK
EP80-1	EBC PIN HSG. (80A)	PBT-PC BLEND	BLACK

④

REV.	DESCRIPTION	APPRV	DATE
4	ECN 2023-0042 - VDE, EN1175 CURRENT RATING	CPD	5/30/2023
3	ECN 2016-0096 - GEOMETRY UPDATED	CMS	1/18/2017
2	ECRN 14292: REMOVE "E" & "EN" SERIES PART NUMBERS	AMS	7/24/08
1	ECRN 13946: ADD "EP" & "EN" SERIES PART NUMBERS	AMS	1/19/06
REVISIONS			

DIMENSIONS ARE IN:	INCH [MM]	APPROVALS		 ANDERSON POWER PRODUCTS TITLE SALES OUTLINE 80A MALE PIN HOUSING	
UNLESS OTHERWISE STATED		DRAWN	AMP		6/7/2005
TOLERANCES:		CHECKED	DJD		6/9/2005
DECIMALS (INCH) DECIMALS (MM) ANGLES .XX ± .015 .X ± .38 ±.5° .XXX ± .005 .XX ± .13		MFG APPRV	CHB		6/7/2005
SURFACE FINISH:		QC APPRV	JJA	6/9/2005	
MACHINED 128µin [3.2µ] MOLDED 64µin [1.6µ]		ENG APPRV	DAM	6/8/2005	
MATERIAL: SEE TABLE		SIZE	A	DWG NO. E80-1S1	
FINISH:		SCALE	0.75:1	CADFILE 02359	
 3rd ANGLE PROJECTION		-CAD GENERATED DRAWING- DO NOT MANUALLY UPDATE DO NOT SCALE		SHEET 1 OF 1	