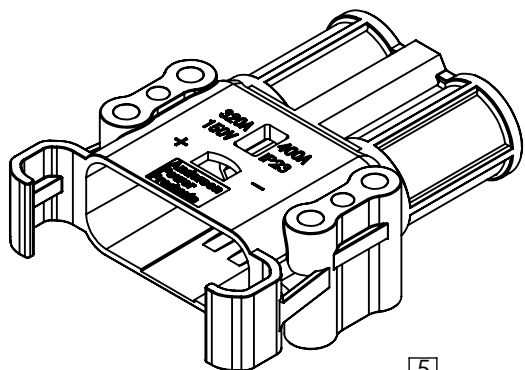


8 7 6 5 4 3 2 1

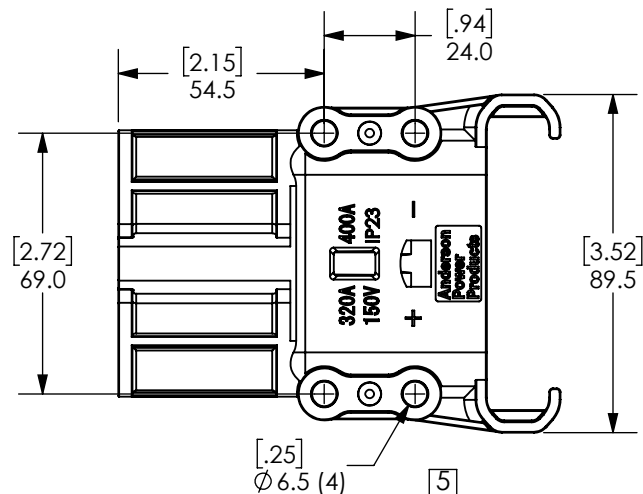
THE INFORMATION CONTAINED IN THIS DRAWING IS THE SOLE PROPERTY OF ANDERSON POWER PRODUCTS. ANY REPRODUCTION IN PART OR WHOLE WITHOUT THE WRITTEN PERMISSION OF ANDERSON POWER PRODUCTS IS PROHIBITED.

Copyright 2017

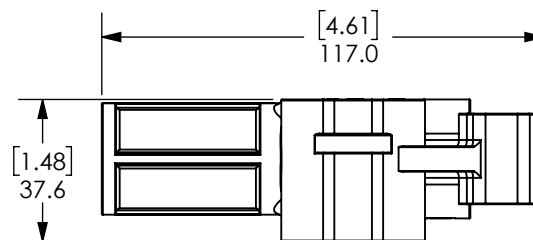
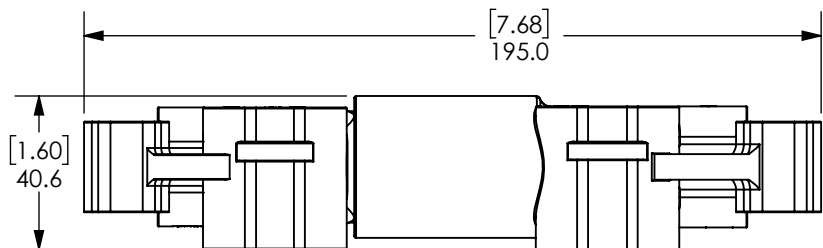
ANDERSON POWER PRODUCTS RESERVES THE RIGHT TO ALTER PRODUCT TYPES, THEIR TECHNICAL DATA, DIMENSION, STYLE AND ACCESSORIES WITHOUT PRIOR NOTIFICATION.



5



.25  
Ø 6.5 (4) 5



MATED PAIR

PART NO.	DESCRIPTION	MATERIAL	COLOR
320-2	ABC SOCKET HSG. (320A)	NYLON	BLACK
EP320-2	EBC SOCKET HSG. (320A)	PBT/PC BLEND	BLACK

5

DIMENSIONS ARE IN:	MM [INCH]	<b>APPROVALS</b>		 <b>ANDERSON POWER PRODUCTS</b>
UNLESS OTHERWISE STATED		DRAWN	6/7/2005	
TOLERANCES:		CHECKED	6/9/2005	
DECIMALS (INCH) DECIMALS (MM) ANGLES		MFG APPRV	6/7/2005	
.XX ± .015 .X ± .38 ±.5°		QC APPRV	6/9/2005	TITLE DIN 320A FEMALE SOCKET HOUSINGS
.XXX ± .005 .XX ± .13		ENG APPRV	6/8/2005	
SURFACE FINISH:		SIZE	DWG NO.	REV.
MACHINED 3.2µ [128µin] ✓		A	E320-2S1	5
MOLDED 1.6µ [64µin] ✓		SCALE	CADFILE	SHEET
MATERIAL:		1:2	02356	1 OF 1
FINISH:		-CAD GENERATED DRAWING- DO NOT MANUALLY UPDATE DO NOT SCALE		

A

REV.	DESCRIPTION	APPRV	DATE
5	ECN 2023-0042 - VDE, EN1175 CURRENT RATING	CPD	5/30/2023
4	ECN 2017-0025 - NEW 3D MODELS	CMS	4/4/2017
3	ECRN 14292- REMOVE "E" & "EN" SERIES PART NUMBERS	AMS	07/25/06
2	ECRN 14013- CHANGES PER ISIR 06-004A	AMS	05/24/06
1	ECRN 13946- ADD "EP" AND "EN" PART NUMBERS	AMS	01/19/06

REVISIONS

8 7 6 5 4 3 2 1