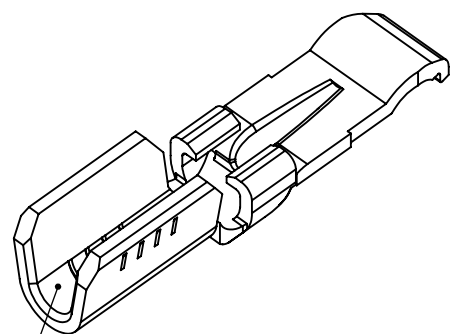


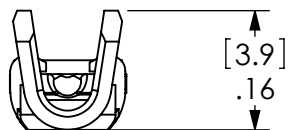
THE INFORMATION CONTAINED IN THIS DRAWING IS THE SOLE PROPERTY OF ANDERSON POWER PRODUCTS. ANY REPRODUCTION IN PART OR WHOLE WITHOUT THE WRITTEN PERMISSION OF ANDERSON POWER PRODUCTS IS PROHIBITED.

Copyright 2009

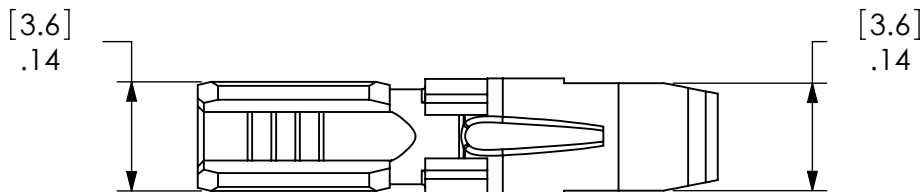
ANDERSON POWER PRODUCTS RESERVES THE RIGHT TO ALTER PRODUCT TYPES, THEIR TECHNICAL DATA, DIMENSION, STYLE AND ACCESSORIES WITHOUT PRIOR NOTIFICATION.



BARREL SIZED FOR #16-20 AWG WIRE

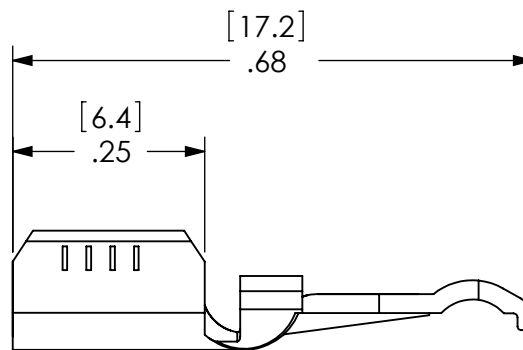


[3.9]  
.16



[3.6]  
.14

[3.6]  
.14



[17.2]  
.68

[6.4]  
.25

DIMENSIONS ARE IN: INCH[MM]		APPROVALS		<b>ANDERSON POWER PRODUCTS</b>
UNLESS OTHERWISE STATED		DRAWN	NTS 6/18/09	
TOLERANCES:		CHECKED	DJD 6/18/09	SIZE A/A4
DECIMALS (INCH)	DECIMALS (MM)	ANGLES	MFG APP	
.XX ± .02	.X ± .5	±2°	CHB 6/18/09	REV. 0
SURFACE FINISH:		MACHINED	128 [3.2]	
MATERIA		MOLDED	64 [1.6]	CADFILE 02927
COPPER ALLOY		FINISH:	SILVER PLATE	
MATERIAL:		ENG APP	BD 6/18/09	

REV.	DESCRIPTION OF CHANGES	APPROVED	DATE
8			
7			
6			
5			



-CAD GENERATED DRAWING-  
DO NOT MANUALLY UPDATE  
DO NOT SCALE