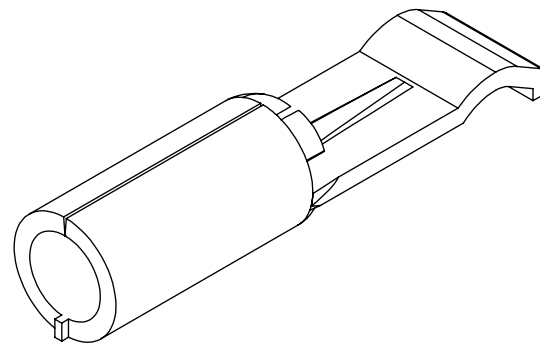
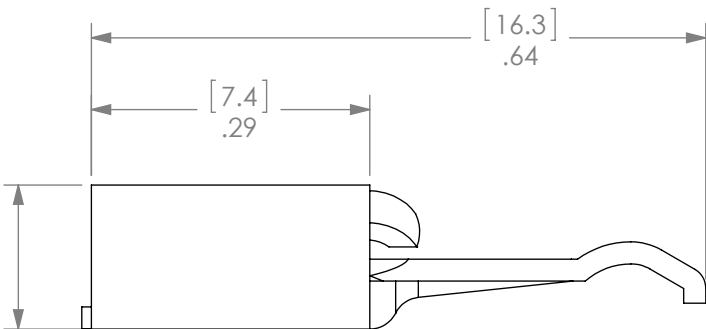
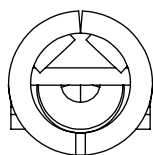
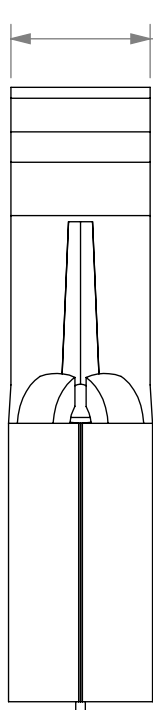


THE INFORMATION CONTAINED IN THIS DRAWING IS THE SOLE PROPERTY OF ANDERSON POWER PRODUCTS. ANY REPRODUCTION IN PART OR WHOLE WITHOUT THE WRITTEN PERMISSION OF ANDERSON POWER PRODUCTS IS PROHIBITED.

**Copyright 1997**

ANDERSON POWER PRODUCTS RESERVES THE RIGHT TO ALTER PRODUCT TYPES, THEIR TECHNICAL DATA, DIMENSION, STYLE AND ACCESSORIES WITHOUT PRIOR NOTIFICATION.



[3.8] .15

DIMENSIONS ARE IN:	INCH [MM]	<i>APPROVALS</i>			<b>ANDERSON POWER PRODUCTS</b>	
UNLESS OTHERWISE STATED		DRAWN	RLE		TITLE	
TOLERANCES:		CHECKED	DJD	CATALOG NUMBER 1331		
DECIMALS (INCH)	DECIMALS (MM)	ANGLES		PP30 CONTACT		
.XX ± .02	.X ± .5	±2°		FOR #12 - #16 AWG WIRE		
SURFACE FINISH:		MFG APPRV	CHB	SIZE		
MACHINED	128µin [3.2µ]	QC APPRV	RPO	DWG NO.		
MOLDED	64µin [1.6µ]	ENG APPRV	UFN	REV.		
MATERIAL:		-CAD GENERATED DRAWING- DO NOT MANUALLY UPDATE DO NOT SCALE		SCALE		SHEET
COPPER				NONE		1 OF 1
FINISH:				CADFILE		
SILVER PLATE				01057		
3rd ANGLE PROJECTION						

REV.	DESCRIPTION	APPRV	DATE
3	ECRN-15550	TWE	1/15/2014
2	ECRN-13433	CMS	10/23/01
1	ECRN-13220 REDRAWN	CMS	8/25/99

REVISIONS