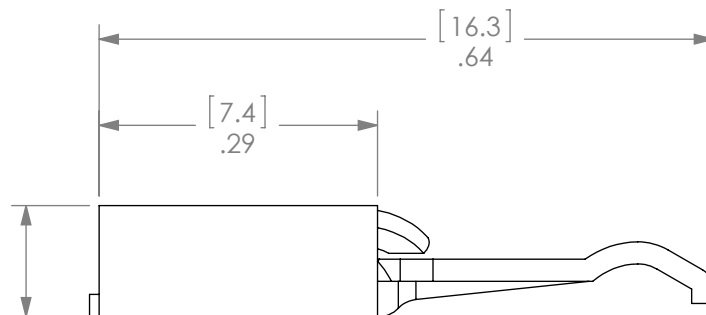
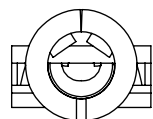
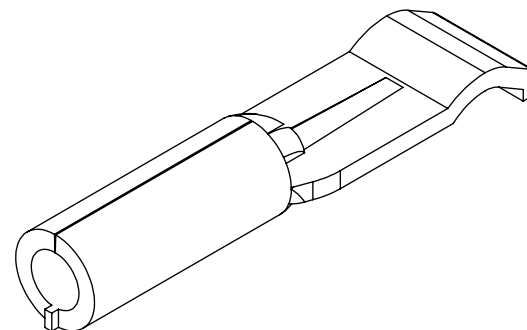
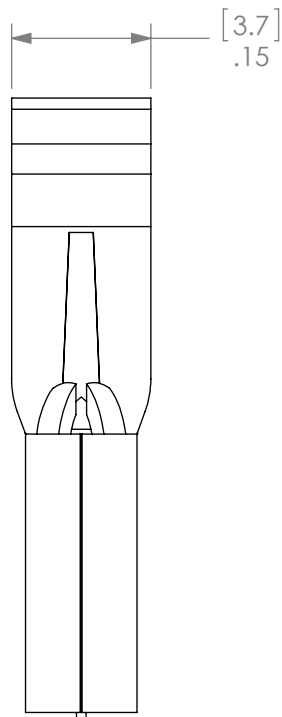



8 7 6 5 4 3 2 1

THE INFORMATION CONTAINED IN THIS DRAWING IS THE SOLE PROPERTY OF ANDERSON POWER PRODUCTS. ANY REPRODUCTION IN PART OR WHOLE WITHOUT THE WRITTEN PERMISSION OF ANDERSON POWER PRODUCTS IS PROHIBITED.

Copyright 1981

ANDERSON POWER PRODUCTS RESERVES THE RIGHT TO ALTER PRODUCT TYPES, THEIR TECHNICAL DATA, DIMENSION, STYLE AND ACCESSORIES WITHOUT PRIOR NOTIFICATION.



DIMENSIONS ARE IN:		INCH [MM]		<i>APPROVALS</i>			ANDERSON POWER PRODUCTS		
UNLESS OTHERWISE STATED				DRAWN	RS		5/5/1981	TITLE CATALOG NO. 1332 POWERPOLE 15 CONTACT FOR #16 - #20 AWG WIRE	
TOLERANCES:				CHECKED	LVR	5/5/1981	SIZE A		
DECIMALS (INCH)	DECIMALS (MM)	ANGLES		MFG APPRV	CHB	10/21/2001			
.XX ± .02	.X ± .5	±2°		QC APPRV	RPO	10/10/2001	REV. 7		
SURFACE FINISH:				ENG APPRV	UFN	10/21/2001			
MACHINED		128µin [3.2µ]		-CAD GENERATED DRAWING- DO NOT MANUALLY UPDATE DO NOT SCALE			CADFILE 01034		
MOLDED		64µin [1.6µ]							
MATERIAL:				3rd ANGLE PROJECTION					
COPPER									
FINISH:									
SILVER PLATE									

REV.	DESCRIPTION	APPRV	DATE
7	ECRN-15550	TWE	1/15/2014
6	ECRN-13433	CMS	10/23/01
5	ECRN-13212 REDRAWN	CMS	6/15/99

REVISIONS

8 7 6 5 4 3 2 1