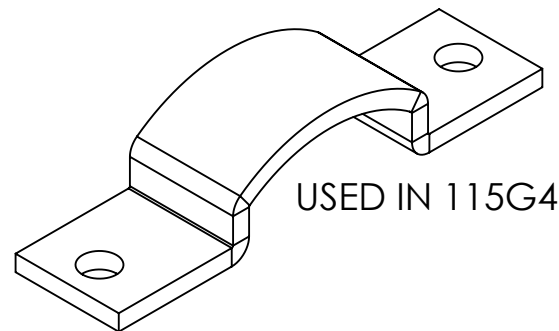
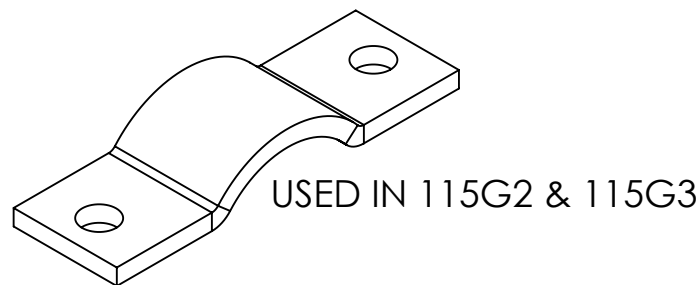
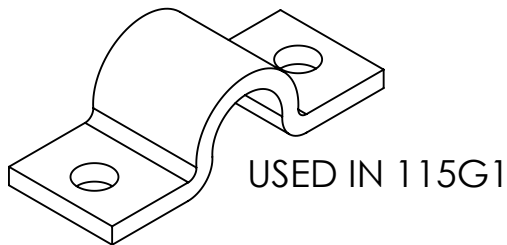
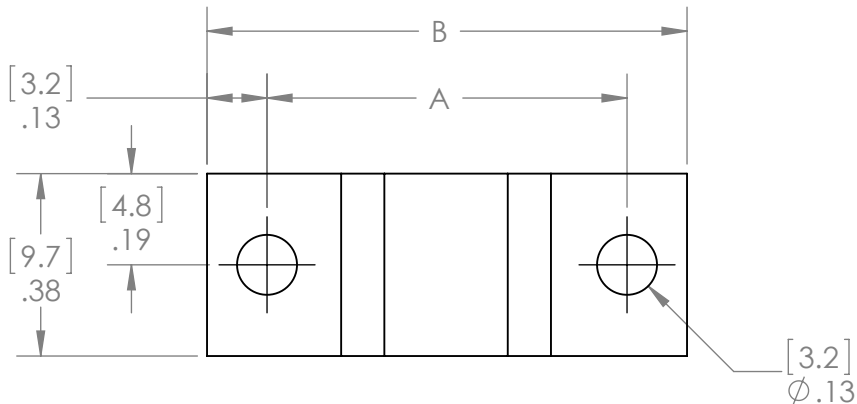


THE INFORMATION CONTAINED IN THIS DRAWING IS THE SOLE PROPERTY OF ANDERSON POWER PRODUCTS. ANY REPRODUCTION IN PART OR WHOLE WITHOUT THE WRITTEN PERMISSION OF ANDERSON POWER PRODUCTS IS PROHIBITED.

Copyright 2011

ANDERSON POWER PRODUCTS RESERVES THE RIGHT TO ALTER PRODUCT TYPES, THEIR TECHNICAL DATA, DIMENSION, STYLE AND ACCESSORIES WITHOUT PRIOR NOTIFICATION.



KIT P/N	DESC	DIM A		DIM B	
		in	mm	in	mm
115G1	2 X 2	.75	19.0	1.00	25.4
115G2	2 X 3	1.00	25.4	1.25	31.8
115G3	2 X 4	1.00	25.4	1.25	31.8
115G4	2 X 5	1.31	33.3	1.55	39.4

REV.	DESCRIPTION	APPRV	DATE
2	ECRN-15467 115G2 & 115G3 USE SAME CLAMP	TWE	9/6/2013
1	ECRN-14881 COMBINED P1-P4 IN OUTLINE DRWG	TWE	4/8/11

REVISIONS

DIMENSIONS ARE IN:	INCH [MM]	APPROVALS			ANDERSON POWER PRODUCTS	
UNLESS OTHERWISE STATED		DRAWN	8/31/1988		TITLE POWERPOLE PAK CLAMPS	
TOLERANCES:		CHECKED	8/31/1988	MFG APPRV		
DECIMALS (INCH)	DECIMALS (MM)	ANGLES		QC APPRV		
.XX ± .02	.X ± .5	±2°		ENG APPRV		
SURFACE FINISH:				SIZE		
MACHINED	128 [3.2]			A		
MOLDED	64 [1.6]			DWG NO.		
MATERIAL:				112019S		
.059 thick cold rolled steel				REV.		
FINISH:				2		
zinc plate yellow chromate				SCALE		
				NONE		
				CADFILE		
				03440		
				SHEET		
				1 OF 1		



-CAD GENERATED DRAWING-
DO NOT MANUALLY UPDATE
DO NOT SCALE