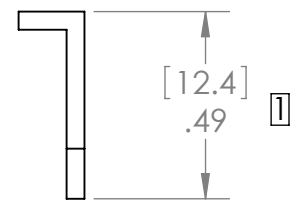
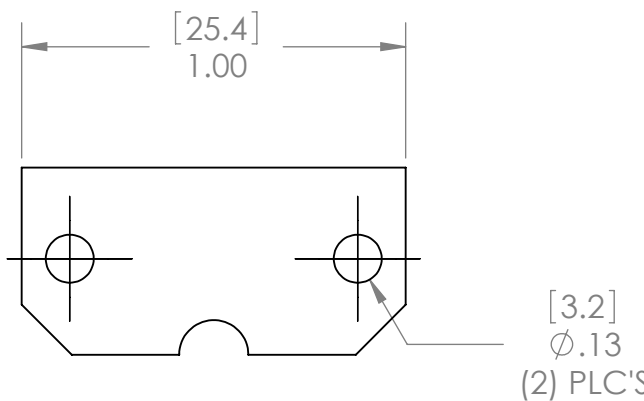
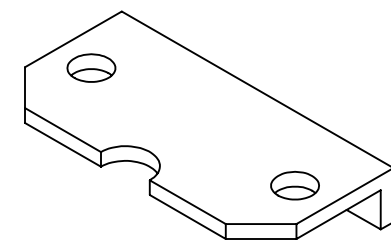
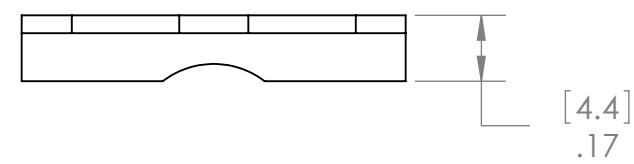


8 | 7 | 6 | 5 | 4 | 3 | 2 | 1

THE INFORMATION CONTAINED IN THIS DRAWING IS THE SOLE PROPERTY OF ANDERSON POWER PRODUCTS. ANY REPRODUCTION IN PART OR WHOLE WITHOUT THE WRITTEN PERMISSION OF ANDERSON POWER PRODUCTS IS PROHIBITED.

Copyright 2008

ANDERSON POWER PRODUCTS RESERVES THE RIGHT TO ALTER PRODUCT TYPES, THEIR TECHNICAL DATA, DIMENSION, STYLE AND ACCESSORIES WITHOUT PRIOR NOTIFICATION.



REV.	DESCRIPTION	APPRV	DATE
1	ECRN-15704 CORRECT OVERALL DIM.	TWE	8/19/2014
REVISIONS			

DIMENSIONS ARE IN:		INCH [MM]		<i>APPROVALS</i>		 ANDERSON POWER PRODUCTS
UNLESS OTHERWISE STATED				DRAWN		
TOLERANCES:				AMS	1/14/2008	
DECIMALS (INCH) DECIMALS (MM) ANGLES				CHECKED		
.XX ± .02 .X ± .5 ± 2°				DJD	1/15/2008	
SURFACE FINISH:				MFG APPRV		
MACHINED 128µin [3.2µ]				CHB	1/14/2008	
MOLDED 64µin [1.6µ]				QC APPRV		
MATERIAL:				UFN	1/14/2008	
STEEL				ENG APPRV		
FINISH:				DAM	1/14/2008	
 3rd ANGLE PROJECTION				-CAD GENERATED DRAWING- DO NOT MANUALLY UPDATE DO NOT SCALE		SIZE A
				DWG NO. 112272S3		REV. 1
				SCALE NONE		CADFILE 02744
						SHEET 1 OF 1

8 | 7 | 6 | 5 | 4 | 3 | 2 | 1