

THE INFORMATION CONTAINED IN THIS DRAWING IS THE SOLE PROPERTY OF ANDERSON POWER PRODUCTS. ANY REPRODUCTION IN PART OR WHOLE WITHOUT THE WRITTEN PERMISSION OF ANDERSON POWER PRODUCTS IS PROHIBITED.

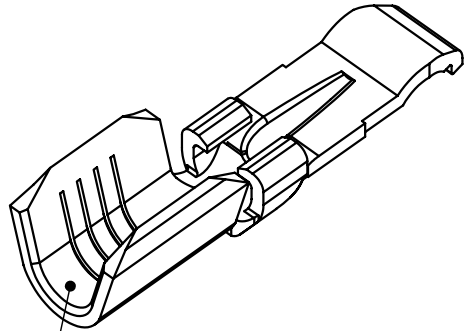
D

C

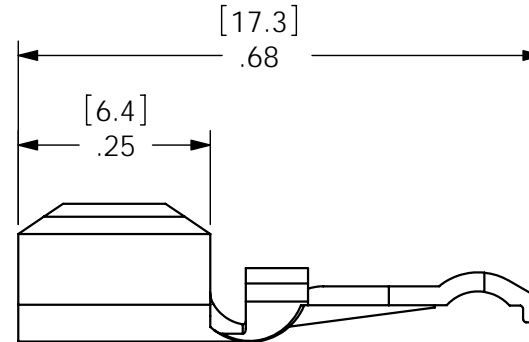
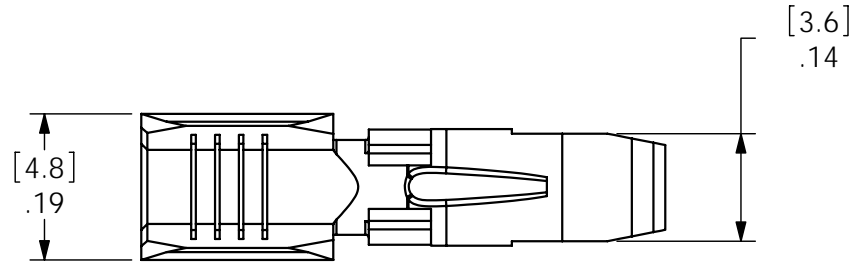
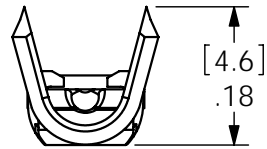
B

A

| REV. | DESCRIPTION OF CHANGES | BY: | DATE     |
|------|------------------------|-----|----------|
| 2    | ECRN 13212: REDRAWN    | CMS | 6/15/99  |
| 3    | ECRN 14110: REDRAWN    | AMS | 02/28/07 |



BARREL SIZED FOR #12-16 AWG WIRE



| ITEM NO.  | PART OR IDENTIFYING NO. | NOMENCLATURE OR DESCRIPTION                      | MATERIAL SPECIFICATION  | QTY RECD     |
|---|-------------------------|--|-------------------------|--------------|
| COPYRIGHT 1999 ANDERSON POWER PRODUCTS. ALL RIGHTS RESERVED. UNAUTHORIZED REPRODUCTION HEREBY PROHIBITED. |                         |  |                         |              |
| DIMENSIONS ARE IN INCHES<br>DIMENSIONS IN PARENTHESES [ ] ARE IN MILLIMETERS                              |                         | CAD GENERATED DRAWING,<br>DO NOT MANUALLY UPDATE | ANDERSON POWER PRODUCTS |              |
| TOLERANCES ARE:<br>2PL- ±.02 [±.5]  |                         | APPROVALS  | DATE                    |              |
| MATERIALS:<br><i>COPPER</i>   |                         | DRAWN AC   | 10/1/93                 |              |
| FINISH<br><i>HOT TIN DIP</i>  |                         | CHECKED DJD                                      | 10/1/93                 |              |
| NEXT ASSY USED ON   |                         | RESP ENG UFN                                     | 10/1/93                 |              |
| APPLICATION   |                         | MFG ENG CHB                                      | 10/1/93                 |              |
| DO NOT SCALE DRAWING  |                         | QUAL ENG HN                                      | 10/1/93                 |              |
| SCALE NONE  |                         |  | CADFILES/01036          | SHEET 1 OF 1 |
| SPECIFICATION: 112718S3   |                         |  | REV. 3                  |              |

D

C

B

A