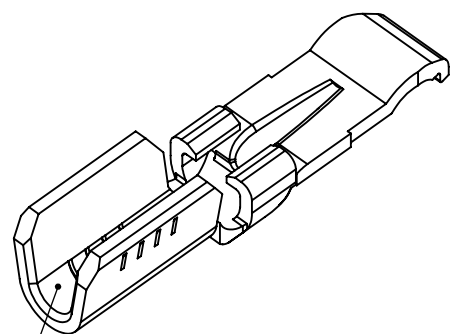


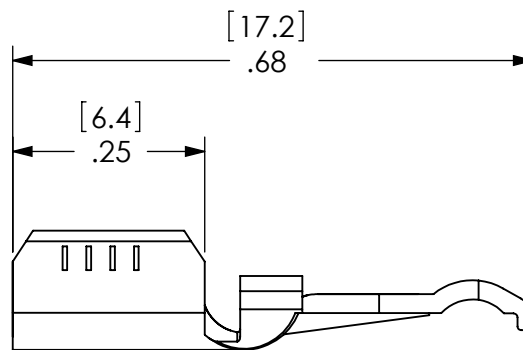
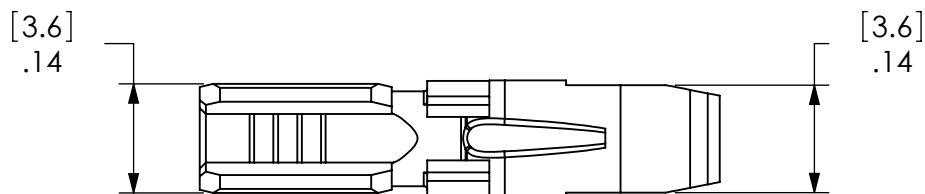
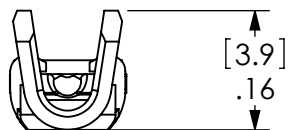
THE INFORMATION CONTAINED IN THIS DRAWING IS THE SOLE PROPERTY OF ANDERSON POWER PRODUCTS. ANY REPRODUCTION IN PART OR WHOLE WITHOUT THE WRITTEN PERMISSION OF ANDERSON POWER PRODUCTS IS PROHIBITED.

Copyright 2009

ANDERSON POWER PRODUCTS RESERVES THE RIGHT TO ALTER PRODUCT TYPES, THEIR TECHNICAL DATA, DIMENSION, STYLE AND ACCESSORIES WITHOUT PRIOR NOTIFICATION.



BARREL SIZED FOR #16-20 AWG WIRE



DIMENSIONS ARE IN:	INCH[MM]
UNLESS OTHERWISE STATED	
TOLERANCES:	
DECIMALS (INCH)	DECIMALS (MM) ANGLES
.XX ± .02	.X ± .5 ±2°
SURFACE FINISH:	
MACHINED	128 [3.2] ✓
MOLDED	64 [1.6] ✓
MATERIAL:	
COPPER ALLOY	
FINISH:	
SILVER PLATE	

APPROVALS	
DRAWN	NTS 6/18/09
CHECKED	DJD 6/18/09
MFG APP	CHB 6/18/09
QC APP	UFN 6/18/09
ENG APP	BD 6/18/09

ANDERSON POWER PRODUCTS	
TITLE	
CAT. NO. 262G2 PP15 REEL CONTACT FOR TYPE "F" CRIMP	
SIZE	DWG NO.
A/A4	112718S8
SCALE	CADFILE
NONE	02927
REV.	SHEET
0	1 OF 1

REV.	DESCRIPTION OF CHANGES	APPROVED	DATE
8			
7			
6			
5			

3rd ANGLE PROJECTION

-CAD GENERATED DRAWING-
DO NOT MANUALLY UPDATE
DO NOT SCALE