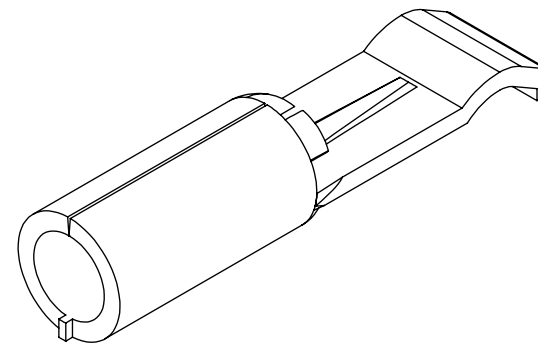
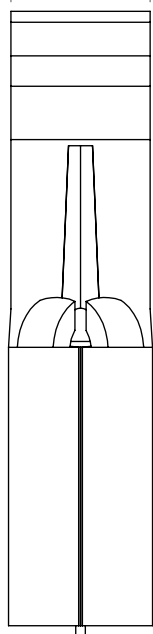


THE INFORMATION CONTAINED IN THIS DRAWING IS THE SOLE PROPERTY OF ANDERSON POWER PRODUCTS. ANY REPRODUCTION IN PART OR WHOLE WITHOUT THE WRITTEN PERMISSION OF ANDERSON POWER PRODUCTS IS PROHIBITED.

Copyright 1997

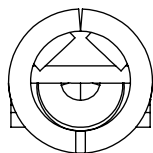
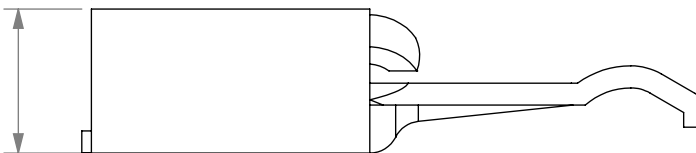
ANDERSON POWER PRODUCTS RESERVES THE RIGHT TO ALTER PRODUCT TYPES, THEIR TECHNICAL DATA, DIMENSION, STYLE AND ACCESSORIES WITHOUT PRIOR NOTIFICATION.

[3.7]
.15



[16.3]
.64

[7.4]
.29



[3.8]
.15

DIMENSIONS ARE IN:		INCH [MM]		<i>APPROVALS</i>		ANDERSON POWER PRODUCTS							
UNLESS OTHERWISE STATED				DRAWN	RLE	3/11/1997							
TOLERANCES:				CHECKED	DJD	10/9/2001							
DECIMALS (INCH)	DECIMALS (MM)	ANGLES		MFG APPRV	CHB	10/21/2001							
.XX ± .02	.X ± .5	±2°		QC APPRV	RPO	10/10/2001							
SURFACE FINISH:				ENG APPRV	UFN	3/11/1997							
MACHINED		128µin [3.2µ]		<table border="1"> <tr> <td>SIZE</td> <td>DWG NO.</td> <td>REV.</td> </tr> <tr> <td>A</td> <td>114018S2</td> <td>3</td> </tr> </table>				SIZE	DWG NO.	REV.	A	114018S2	3
SIZE	DWG NO.	REV.											
A	114018S2	3											
MOLDED		64µin [1.6µ]		SCALE	CADFILE	SHEET							
MATERIAL:				-CAD GENERATED DRAWING- DO NOT MANUALLY UPDATE DO NOT SCALE									
COPPER				NONE									
FINISH:				01057									
SILVER PLATE				1 OF 1									

REV.	DESCRIPTION	APPRV	DATE
3	ECRN-15550	TWE	1/15/2014
2	ECRN-13433	CMS	10/23/01
1	ECRN-13220 REDRAWN	CMS	8/25/99

REVISIONS