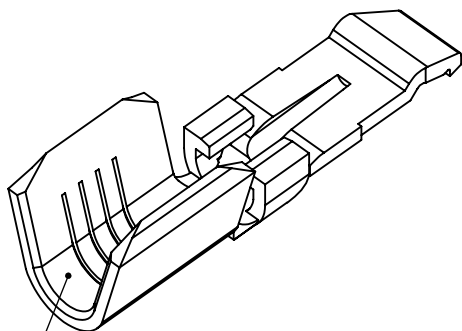


8 7 6 5 4 3 2 1

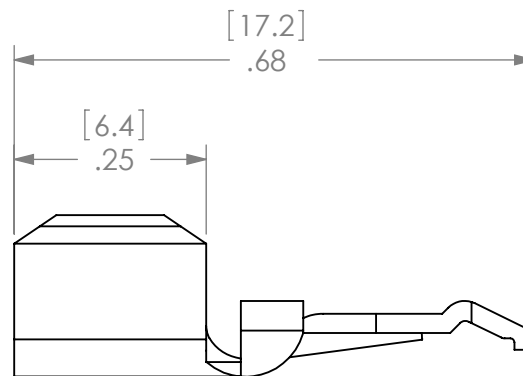
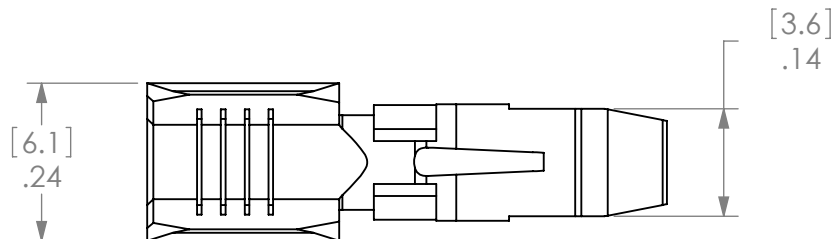
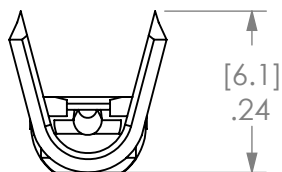
THE INFORMATION CONTAINED IN THIS DRAWING IS THE SOLE PROPERTY OF ANDERSON POWER PRODUCTS. ANY REPRODUCTION IN PART OR WHOLE WITHOUT THE WRITTEN PERMISSION OF ANDERSON POWER PRODUCTS IS PROHIBITED.

Copyright 1999

ANDERSON POWER PRODUCTS RESERVES THE RIGHT TO ALTER PRODUCT TYPES, THEIR TECHNICAL DATA, DIMENSION, STYLE AND ACCESSORIES WITHOUT PRIOR NOTIFICATION.



BARREL SIZED FOR #10-14 AWG WIRE



CAT. NO.	PLATING
201G1H	HOT TIN DIP
201G3H	SILVER

DIMENSIONS ARE IN:	INCH [MM]	APPROVALS		 ANDERSON POWER PRODUCTS
UNLESS OTHERWISE STATED		DRAWN	GN 6/30/1999	
TOLERANCES:		CHECKED	DJD 9/19/2000	
DECIMALS (INCH)	DECIMALS (MM)	ANGLES		
.XX ± .02	.X ± .5	±2°		TITLE CATALOG #201G HIGH DETENT REEL CONTACT FOR POWERPOLES TYPE "F" CRIMP
SURFACE FINISH:			MFG APPRV	
MACHINED	128µin [3.2µ]		CHB 9/18/2000	
MOLDED	64µin [1.6µ]		QC APPRV	
MATERIAL:			UFN 9/20/2000	SIZE A
COPPER			ENG APPRV	
FINISH:			RPO 9/19/2000	DWG NO. 114117S1
SEE TABLE				REV. 2
 3rd ANGLE PROJECTION			-CAD GENERATED DRAWING- DO NOT MANUALLY UPDATE DO NOT SCALE	SCALE NONE
				CADFILE 00982
				SHEET 1 OF 1

REV.	DESCRIPTION	APPRV	DATE
2	ECRN-15554 ADDED TABLE WITH 201G3H	TWE	1/21/2014
1	ECRN-14110 REDRAWN	AMS	3/1/07

REVISIONS

8 7 6 5 4 3 2 1