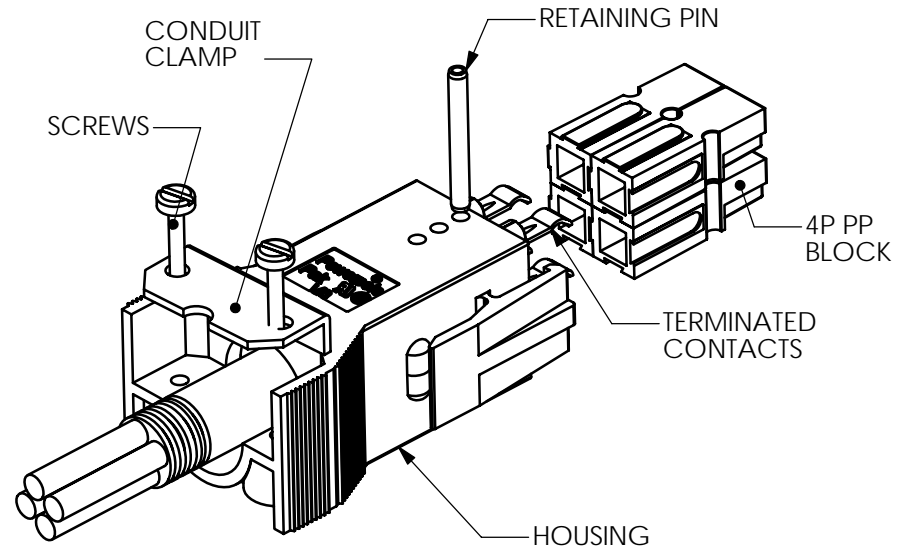
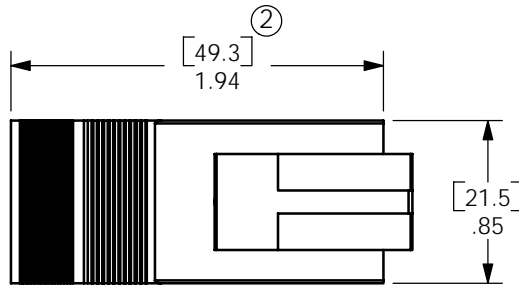
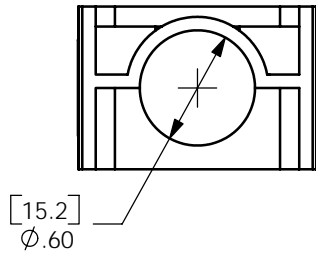
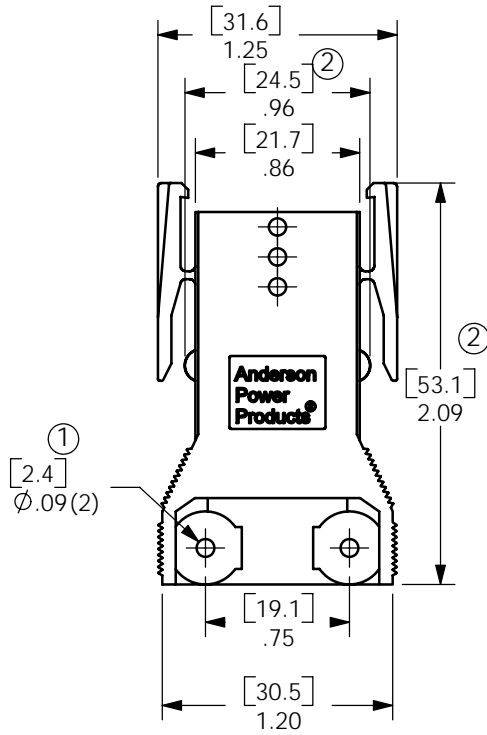


THE INFORMATION CONTAINED IN THIS DRAWING IS THE SOLE PROPERTY OF ANDERSON POWER PRODUCTS. ANY REPRODUCTION IN PART OR WHOLE WITHOUT THE WRITTEN PERMISSION OF ANDERSON POWER PRODUCTS IS PROHIBITED.

DATE	12/16/04
BY:	DJD
DESCRIPTION OF CHANGES	
1	ECRN 13769: Ø .09 WAS Ø .08
2	ECRN 14227: 1.94 WAS 1.96, 2.09 WAS 2.11, ADD LATCH STOPS
REV	



TYPICAL ASSEMBLY- REFER TO CATALOG FOR AVAILABLE CONFIGURATIONS

ITEM NO.	PART OR IDENTIFYING NO.	NOMENCLATURE OR DESCRIPTION	MATERIAL SPECIFICATION	QTY REQD
COPYRIGHT 1999 ANDERSON POWER PRODUCTS. ALL RIGHTS RESERVED. UNAUTHORIZED REPRODUCTION HEREBY PROHIBITED.				
DIMENSIONS ARE IN INCHES DIMENSIONS IN PARENTHESES [] ARE IN MILLIMETERS		CAD GENERATED DRAWING, DO NOT MANUALLY UPDATE		ANDERSON POWER PRODUCTS
TOLERANCES ARE: 2PL- ±.02 [±.5]		APPROVALS	DATE	CATALOG NUMBER 1460G1 2X2 POWERPOLE PAK HOUSING PLUG WITH LATCH
MATERIALS: <i>POLYCARBONATE</i>		DRAWN	CMS 7/27/99	
FINISH <i>NONE</i>		CHECKED	AC 7/27/99	
DO NOT SCALE DRAWING		RESP ENG	UFN 7/27/99	
		MFG ENG	CHB 8/10/99	
		QUAL ENG	RPO 9/9/99	SIZE A SPECIFICATION: 114165S1
		SCALE NONE CADFILES/01088		REV. 2 SHEET 1 OF 1