

THE INFORMATION CONTAINED IN THIS DRAWING IS THE SOLE PROPERTY OF ANDERSON POWER PRODUCTS. ANY REPRODUCTION IN PART OR WHOLE WITHOUT THE WRITTEN PERMISSION OF ANDERSON POWER PRODUCTS IS PROHIBITED.

Copyright 1999

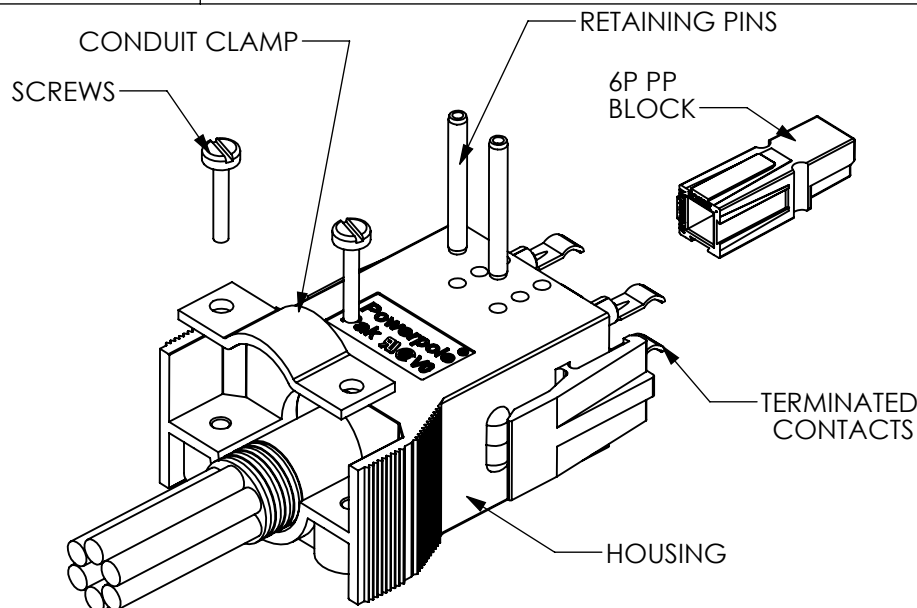
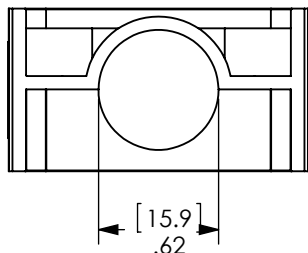
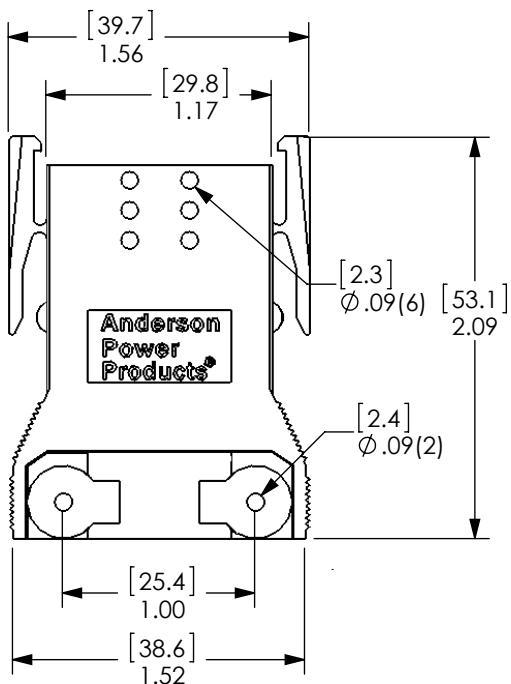
ANDERSON POWER PRODUCTS RESERVES THE RIGHT TO ALTER PRODUCT TYPES, THEIR TECHNICAL DATA, DIMENSION, STYLE AND ACCESSORIES WITHOUT PRIOR NOTIFICATION.

D

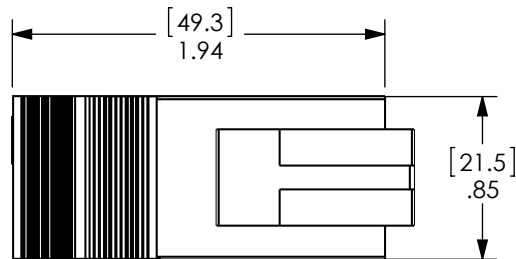
C

B

A



TYPICAL ASSEMBLY-REFER TO CATALOG FOR AVAILABLE CONFIGURATIONS



3	ECRN-15865	TWE	9/1/2015
2	ECRN-13769	DJD	12/16/04
1	ECRN-13433	CMS	10/23/01
REV.	DESCRIPTION	APPRV	DATE

REVISIONS

DIMENSIONS ARE IN:	INCH [MM]	APPROVALS			ANDERSON POWER PRODUCTS		
UNLESS OTHERWISE STATED		DRAWN	7/27/1999		TITLE		
TOLERANCES:		CMS		CATALOG NUMBER 1460G2			
DECIMALS (INCH)	DECIMALS (MM)	CHECKED	10/9/2001	2X3 POWERPOLE PAK			
.XX ± .02	.X ± .5	DJD		HOUSING PLUG WITH LATCH			
ANGLES	±2°	MFG APPRV	10/21/2001	SIZE	DWG NO.	REV.	
		CHB		A	114165S2	3	
SURFACE FINISH:		QC APPRV	9/16/1999	SCALE	CADFILE	SHEET	
MACHINED	128µin [3.2µ]	RPO		NONE	01089	1 OF 1	
MOLDED	64µin [1.6µ]	ENG APPRV	10/22/2001	-CAD GENERATED DRAWING- DO NOT MANUALLY UPDATE DO NOT SCALE			
MATERIAL:	POLYCARBONATE	UFN					
FINISH:	NONE						