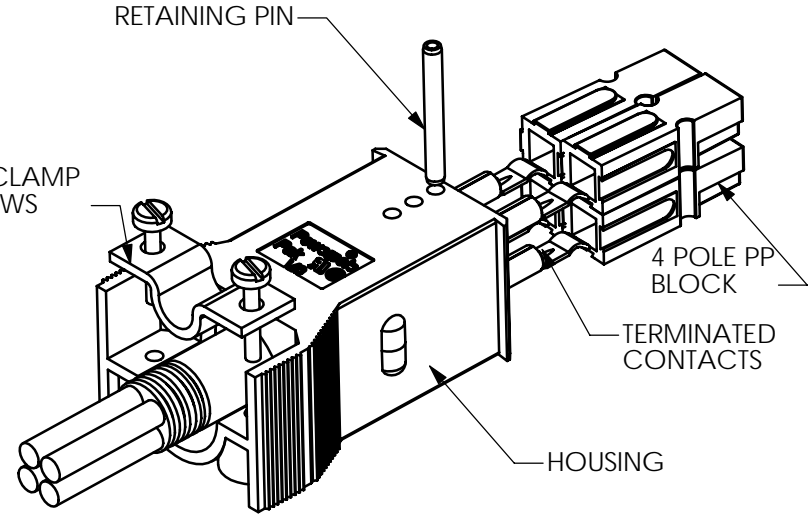
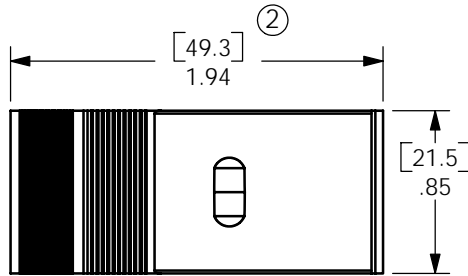
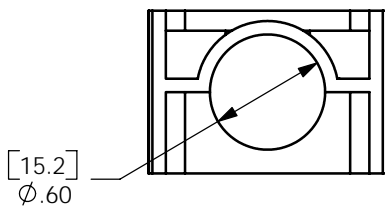
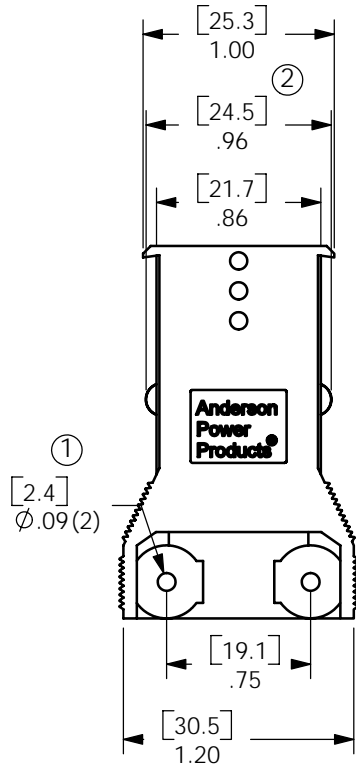


THE INFORMATION CONTAINED IN THIS DRAWING IS THE SOLE PROPERTY OF ANDERSON POWER PRODUCTS. ANY REPRODUCTION IN PART OR WHOLE WITHOUT THE WRITTEN PERMISSION OF ANDERSON POWER PRODUCTS IS PROHIBITED.

DATE	12/16/04
BY:	DJD
DESCRIPTION OF CHANGES	CMS 1/15/08
REV.	1 ECRN 13769: Ø.09 WAS Ø.08 2 ECRN 14227: 1.94 WAS 1.96. ADD LATCH STOPS



TYPICAL ASSEMBLY- REFER TO CATALOG FOR AVAILABLE CONFIGURATIONS

ITEM NO.	PART OR IDENTIFYING NO.	NOMENCLATURE OR DESCRIPTION	MATERIAL SPECIFICATION	QTY RECD
COPYRIGHT 1999 ANDERSON POWER PRODUCTS. ALL RIGHTS RESERVED. UNAUTHORIZED REPRODUCTION HEREBY PROHIBITED.				
DIMENSIONS ARE IN INCHES DIMENSIONS IN PARENTHESES [] ARE IN MILLIMETERS		CAD GENERATED DRAWING, DO NOT MANUALLY UPDATE		ANDERSON POWER PRODUCTS
TOLERANCES ARE: 2PL- ±.02 [±.5]		APPROVALS	DATE	
MATERIALS: <i>POLYCARBONATE</i>	DRAWN	CMS	8/3/99	CATALOG NUMBER 1461G1 2X2 POWERPOLE PAK PLUG WITHOUT LATCH
	CHECKED	DJD	8/5/99	
FINISH	RESP ENG	UFN	8/13/99	
DO NOT SCALE DRAWING	MFG ENG	CHB	8/5/99	SIZE A
	QUAL ENG	RO	8/10/99	SPECIFICATION: 114166S1
SCALE NONE			CADFILES/01091	REV. 2
				SHEET 1 OF 1