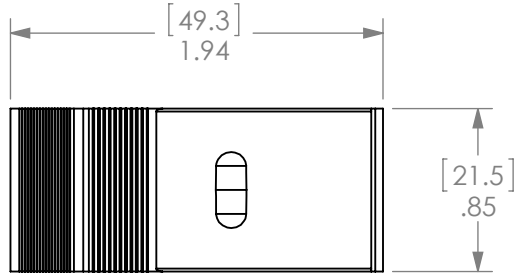
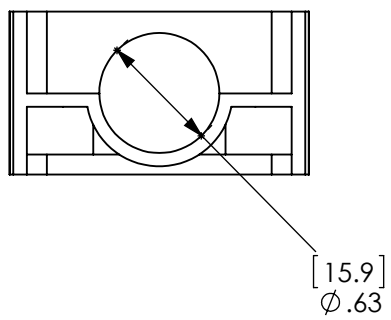
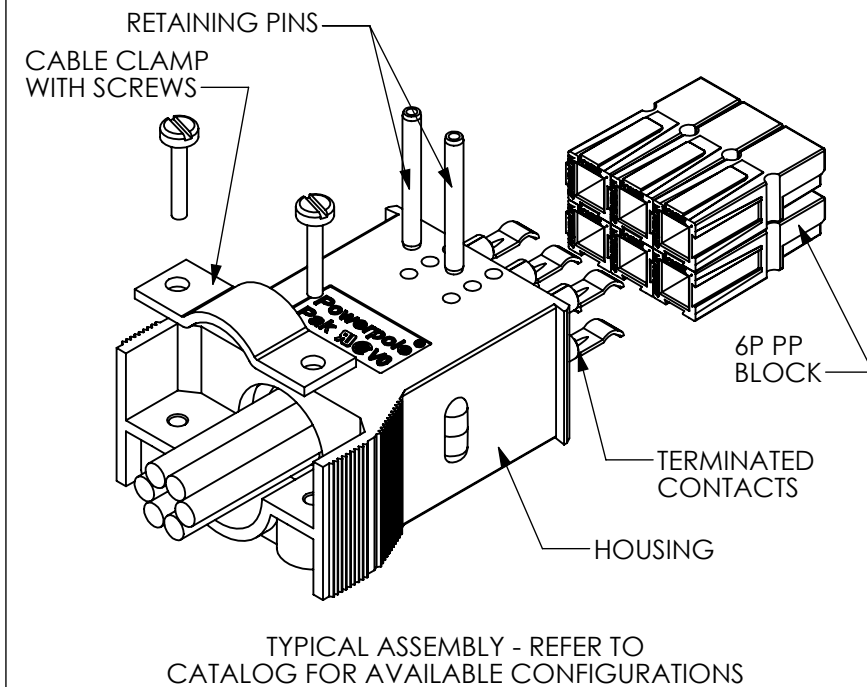
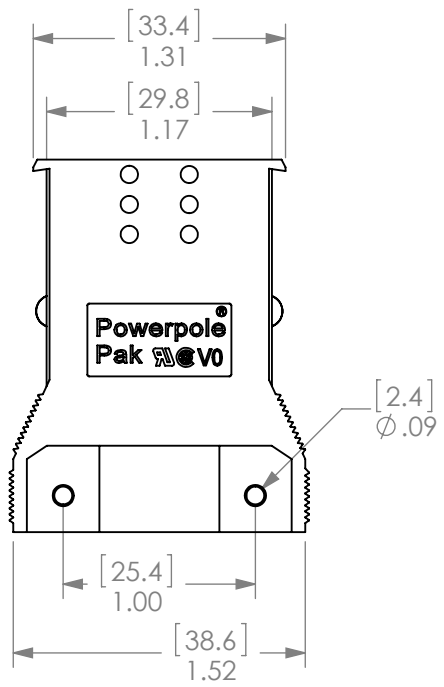


THE INFORMATION CONTAINED IN THIS DRAWING IS THE SOLE PROPERTY OF ANDERSON POWER PRODUCTS. ANY REPRODUCTION IN PART OR WHOLE WITHOUT THE WRITTEN PERMISSION OF ANDERSON POWER PRODUCTS IS PROHIBITED.

Copyright 1999

ANDERSON POWER PRODUCTS RESERVES THE RIGHT TO ALTER PRODUCT TYPES, THEIR TECHNICAL DATA, DIMENSION, STYLE AND ACCESSORIES WITHOUT PRIOR NOTIFICATION.



3	ECRN-15720 UPDATE DRAWING		9/23/2014
2	ECRN-15552 UPDATE DRAWING	TWE	1/17/2014
1	ECRN-13769 Ø.09 WAS Ø.08	DJD	12/16/04
REV.	DESCRIPTION	APPRV	DATE

REVISIONS

DIMENSIONS ARE IN:	INCH [MM]	APPROVALS			ANDERSON POWER PRODUCTS		
UNLESS OTHERWISE STATED		DRAWN	CMS		8/4/1999	TITLE CATALOG NUMBER 1461G2 2X3 POWERPOLE PAK PLUG WITHOUT LATCH	
TOLERANCES:		CHECKED	DJD	8/5/1999			
DECIMALS (INCH) DECIMALS (MM) ANGLES .XX ±.02 .X ±.5 ±2°		MFG APPRV	CHB	8/5/1999			
SURFACE FINISH:		QC APPRV	UFN	8/13/1999			
MACHINED 128µin [3.2µ]		ENG APPRV	RO	8/10/1999	SIZE	DWG NO.	REV.
MOLDED 64µin [1.6µ]		MATERIAL: POLYCARBONATE			A	114166S2	3
FINISH: NONE		-CAD GENERATED DRAWING- DO NOT MANUALLY UPDATE DO NOT SCALE			SCALE	CADFILE	SHEET
					NONE	01092	1 OF 1