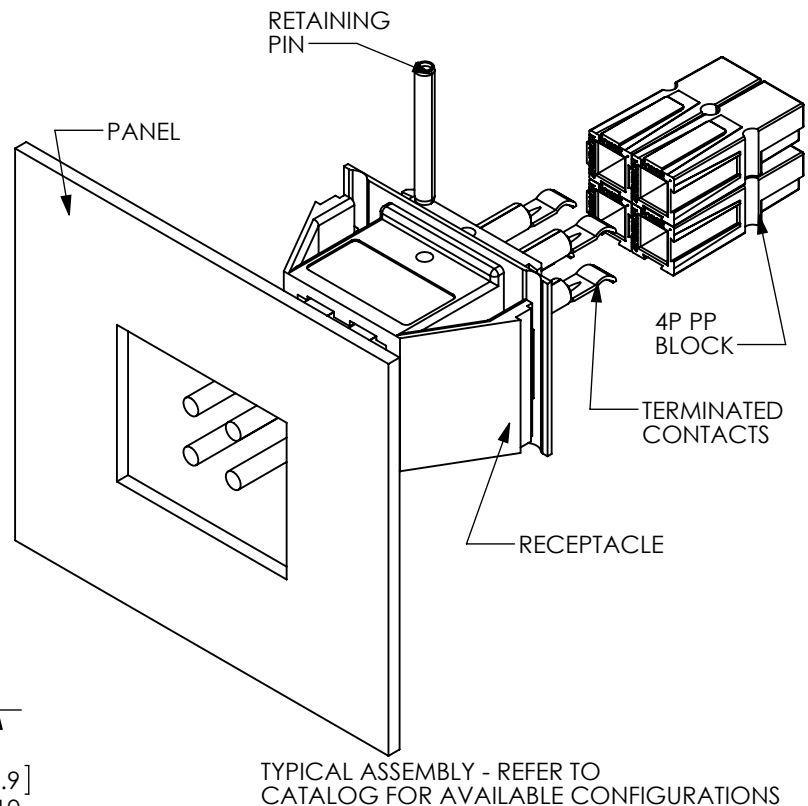
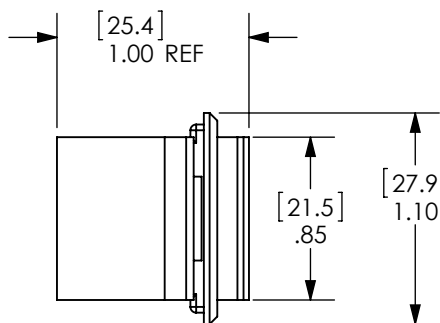
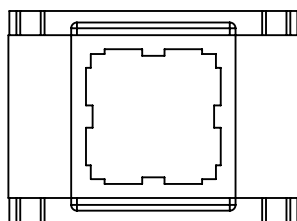
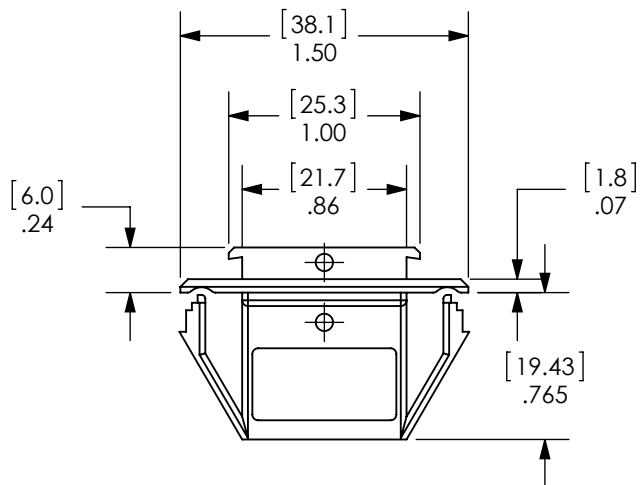


THE INFORMATION CONTAINED IN THIS DRAWING IS THE SOLE PROPERTY OF ANDERSON POWER PRODUCTS. ANY REPRODUCTION IN PART OR WHOLE WITHOUT THE WRITTEN PERMISSION OF ANDERSON POWER PRODUCTS IS PROHIBITED.

**Copyright 2013**

ANDERSON POWER PRODUCTS RESERVES THE RIGHT TO ALTER PRODUCT TYPES, THEIR TECHNICAL DATA, DIMENSION, STYLE AND ACCESSORIES WITHOUT PRIOR NOTIFICATION.



**NOTES:**

- DESIGNED FOR PANELS .030-.134" (.76 - 3.4mm) THICK
- KNOCKOUT SIZE 1.00 X 1.25 (25.4 X 31.7)

DIMENSIONS ARE IN:	INCH [MM]	<b>APPROVALS</b>		<p><b>ANDERSON POWER PRODUCTS</b></p> <p><b>TITLE</b></p> <p>CATALOG NUMBER 1470G1 2X2 POWERPOLE PAK SNAP-IN RECEPTACLE</p>		
UNLESS OTHERWISE STATED		DRAWN	CMS 8/6/1999			
TOLERANCES:		CHECKED	DJD 8/9/1999			
DECIMALS (INCH) DECIMALS (MM) ANGLES		MFG APPRV	CHB 8/23/1999			
.XX ± .02 .X ± .5 ±2°		QC APPRV	RO 8/23/1999			
SURFACE FINISH:		ENG APPRV	UFN 8/24/1999	SIZE	DWG NO.	REV.
MACHINED 128µin [3.2µ]				A	114167S1	1
MOLDED 64µin [1.6µ]				SCALE	CADFILE	SHEET
MATERIAL: POLYCARBONATE				NONE	01094	1 OF 1
FINISH:						

1	ECRN-15494 ELIMINATE DIM. BETWEEN OUTSIDE CLIP POINTS	TWE	10/28/2013
REV.	DESCRIPTION	APPRV	DATE
REVISIONS			



-CAD GENERATED DRAWING-  
DO NOT MANUALLY UPDATE  
DO NOT SCALE