

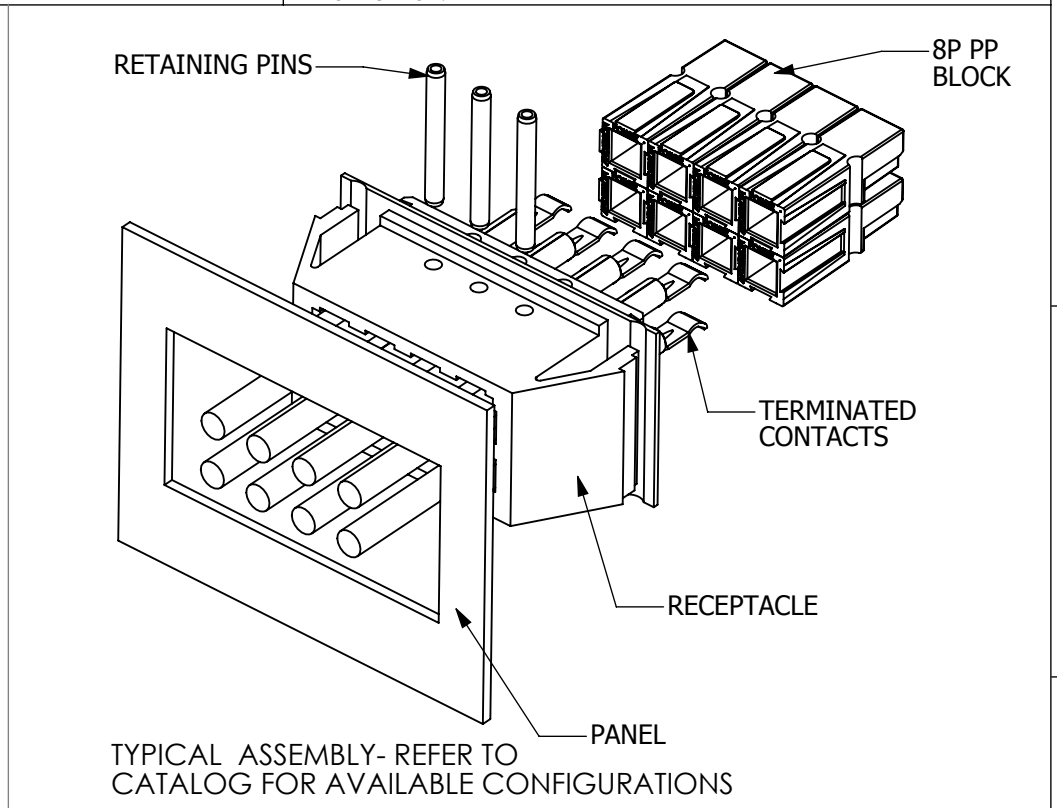
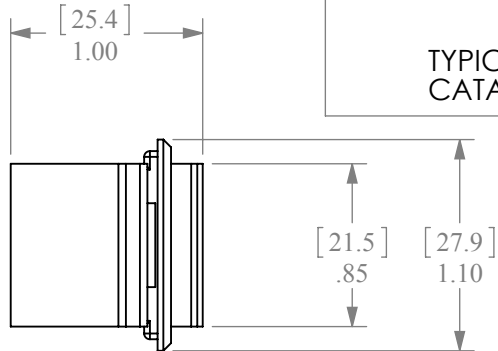
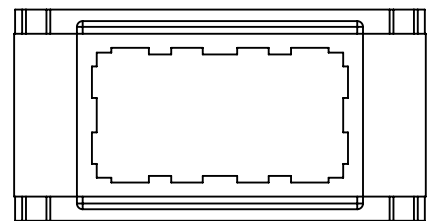
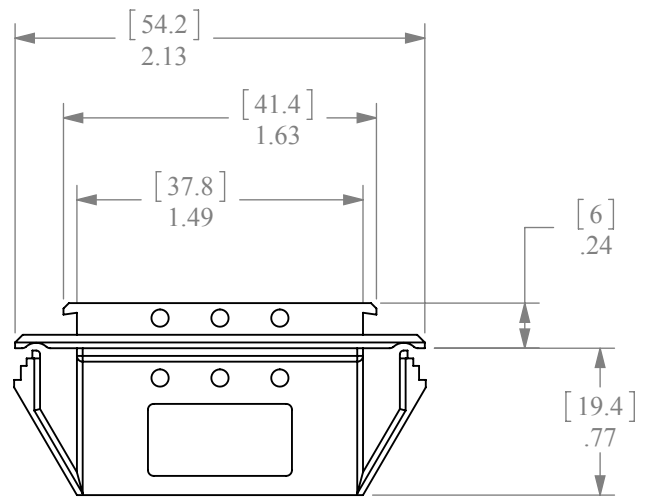
8 7 6 5 4 3 2 1

THE INFORMATION CONTAINED IN THIS DRAWING IS THE SOLE PROPERTY OF ANDERSON POWER PRODUCTS. ANY REPRODUCTION IN PART OR WHOLE WITHOUT THE WRITTEN PERMISSION OF ANDERSON POWER PRODUCTS IS PROHIBITED.

**Copyright 1999**

ANDERSON POWER PRODUCTS RESERVES THE RIGHT TO ALTER PRODUCT TYPES, THEIR TECHNICAL DATA, DIMENSION, STYLE AND ACCESSORIES WITHOUT PRIOR NOTIFICATION.

D  
C  
B  
A



TYPICAL ASSEMBLY- REFER TO CATALOG FOR AVAILABLE CONFIGURATIONS

NOTES:

- DESIGNED FOR PANELS .003-.134" (.76-3.4mm) THICK
- KNOCKOUT SIZE 1.00 X 1.88 (25.4 X 47.8)

DIMENSIONS ARE IN:		INCH [MM]		<i>APPROVALS</i>		<b>ANDERSON POWER PRODUCTS</b>	
UNLESS OTHERWISE STATED				DRAWN	CMS	8/20/1999	TITLE CATALOG NUMBER 1470G3 2X4 POWERPOLE PAK SNAP-IN RECEPTACLE
TOLERANCES:				CHECKED	DJD	8/20/1999	
DECIMALS (INCH)	DECIMALS (MM)	ANGLES		MFG APPRV	CHB	8/23/1999	
.XX ± .015	.X ± .38	±.5°		QC APPRV	RO	8/23/1999	
.XXX ± .005	.XX ± .13			ENG APPRV	UFN	8/21/1999	SIZE A
SURFACE FINISH:				MATERIAL:		DWG NO.	
MACHINED		128µin [3.2µ]		POLYCARBONATE		114167S3	
MOLDED		64µin [1.6µ]		FINISH:		REV.	
				NONE		1	
3rd ANGLE PROJECTION				-CAD GENERATED DRAWING- DO NOT MANUALLY UPDATE DO NOT SCALE		SCALE 1:1	
						CADFILE 01096	
						SHEET 1 OF 1	

1	ECRN-15527	TWE	12/5/2013
REV.	DESCRIPTION	APPRV	DATE
REVISIONS			

8 7 6 5 4 3 2 1