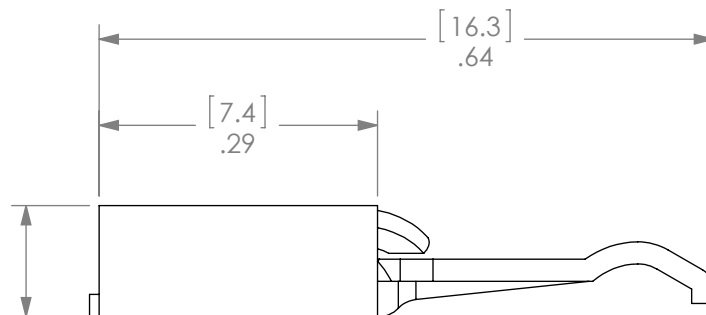
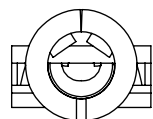
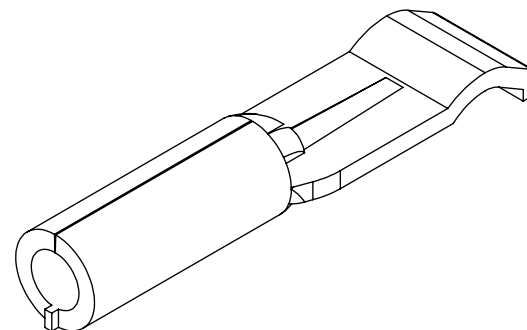
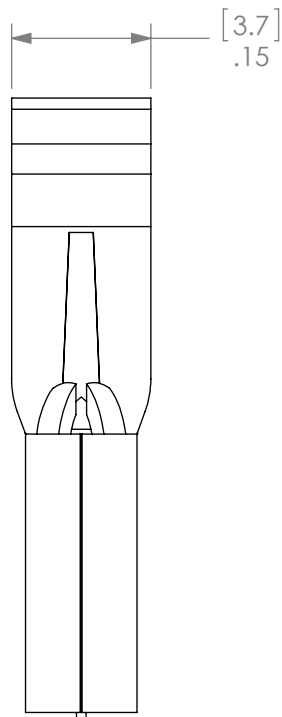


8                      7                      6                      5                      4                      3                      2                      1

THE INFORMATION CONTAINED IN THIS DRAWING IS THE SOLE PROPERTY OF ANDERSON POWER PRODUCTS. ANY REPRODUCTION IN PART OR WHOLE WITHOUT THE WRITTEN PERMISSION OF ANDERSON POWER PRODUCTS IS PROHIBITED.

**Copyright 1981**

ANDERSON POWER PRODUCTS RESERVES THE RIGHT TO ALTER PRODUCT TYPES, THEIR TECHNICAL DATA, DIMENSION, STYLE AND ACCESSORIES WITHOUT PRIOR NOTIFICATION.



[2.9]  
.12

DIMENSIONS ARE IN:		INCH [MM]		<i>APPROVALS</i>			<b>ANDERSON POWER PRODUCTS</b>		
UNLESS OTHERWISE STATED				DRAWN	RS		5/5/1981	TITLE CATALOG NO. 1332 POWERPOLE 15 CONTACT FOR #16 - #20 AWG WIRE	
TOLERANCES:				CHECKED	LVR	5/5/1981	SIZE		
DECIMALS (INCH)	DECIMALS (MM)	ANGLES		MFG APPRV	CHB	10/21/2001	A	DWG NO.	REV.
.XX ± .02	.X ± .5	±2°		QC APPRV	RPO	10/10/2001	NONE	1C0608S22	7
SURFACE FINISH:				ENG APPRV	UFN	10/21/2001	SCALE	CADFILE	SHEET
MACHINED		128µin [3.2µ]		-CAD GENERATED DRAWING- DO NOT MANUALLY UPDATE DO NOT SCALE		NONE		01034	1 OF 1
MOLDED		64µin [1.6µ]		3rd ANGLE PROJECTION					
MATERIAL:									
COPPER									
FINISH:									
SILVER PLATE									

REV.	DESCRIPTION	APPRV	DATE
7	ECRN-15550	TWE	1/15/2014
6	ECRN-13433	CMS	10/23/01
5	ECRN-13212 REDRAWN	CMS	6/15/99

REVISIONS

8                      7                      6                      5                      4                      3                      2                      1