

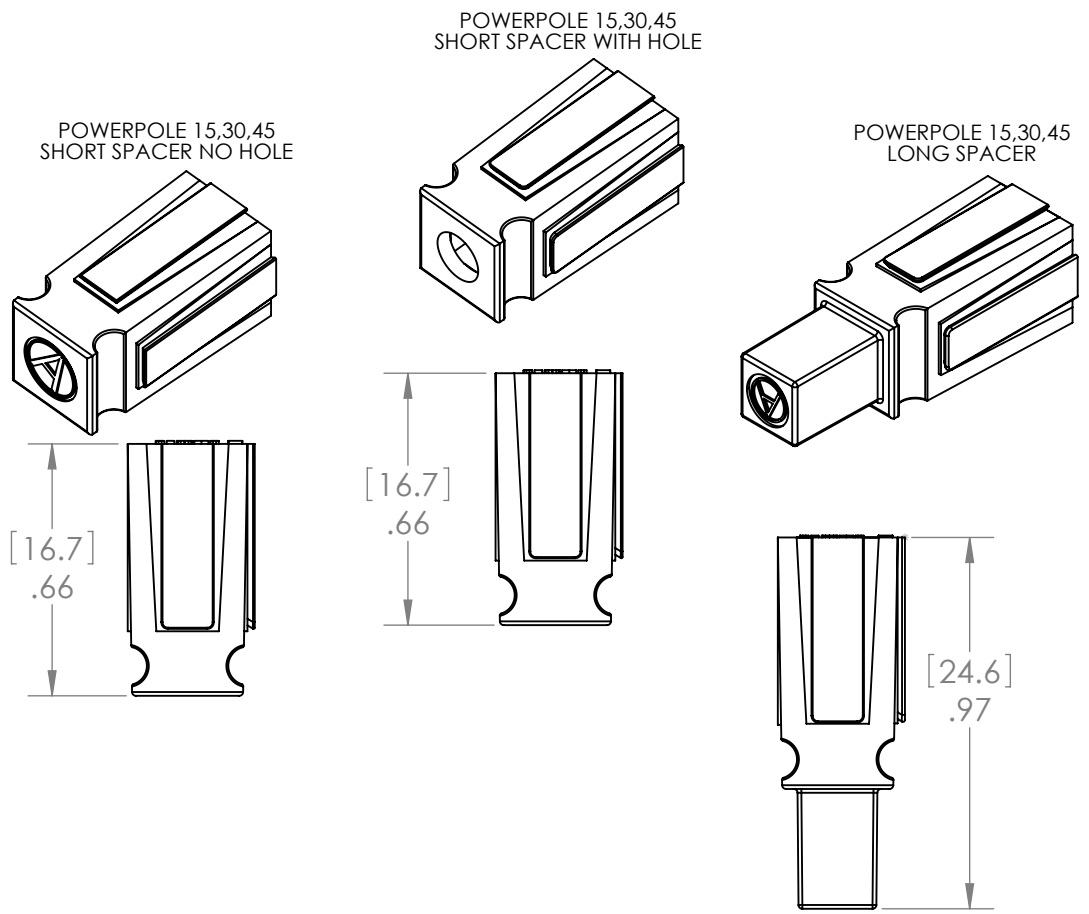
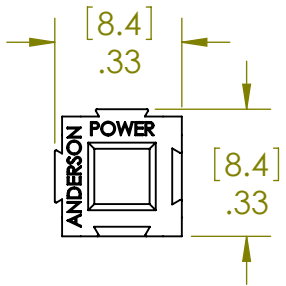
THE INFORMATION CONTAINED IN THIS DRAWING IS THE SOLE PROPERTY OF ANDERSON POWER PRODUCTS. ANY REPRODUCTION IN PART OR WHOLE WITHOUT THE WRITTEN PERMISSION OF ANDERSON POWER PRODUCTS IS PROHIBITED.

**Copyright 2010**

ANDERSON POWER PRODUCTS RESERVES THE RIGHT TO ALTER PRODUCT TYPES, THEIR TECHNICAL DATA, DIMENSION, STYLE AND ACCESSORIES WITHOUT PRIOR NOTIFICATION.

D  
C  
B  
A

D  
C  
B  
A



POWERPOLE 15/30/45 LONG SPACER	
CATALOG NUMBER	COLOR
1399G2	RED
1399G10	BLACK
1399G17	WHITE
1399G19	GRAY

POWERPOLE 15/30/45 SHORT SPACER		
CATALOG NUMBER	COLOR	HOLE
1399G1	RED	YES
1399G6	RED	NO
1399G13	BLUE	NO
1399G14	WHITE	YES
1399G16	GRAY	YES
1399G25	WHITE	NO
1399G26	BLACK	NO

**NOTES:**

1. THESE SPACERS ARE INTENDED TO PROVIDE A KEYING FEATURE TO POWERPOLE ARRAYS. A SHORT SPACER ON ONE HALF OF THE MATED PAIR AND A LONG SPACER ON THE OTHER HALF OF THE MATED PAIR CREATE THE POLARIZED KEY.

REV.	DESCRIPTION	APPRV	DATE
10	ECRN-15446	TWE	7/25/2013
9	ECRN-15407	TWE	5/14/2013
8	ECRN-14998	TWE	10/24/11
7	ECRN 14801: UPDATED DRAWING	JHN	12/17/2010
6	ECRN 14727: ADDED BLUE SPACER 1399G13	LLD	10/5/10
5	ECRN 13506 : ADDED 1399G6	CMS	08/01/2002

REVISIONS

DIMENSIONS ARE IN:	INCH [MM]	<b>APPROVALS</b>		<p><b>ANDERSON POWER PRODUCTS</b></p> <p>TITLE</p> <p>CATALOG NUMBER 1399 SERIES POWERPOLE® 15/30/45 SERIES SHORT AND LONG SPACERS</p>
UNLESS OTHERWISE STATED		DRAWN	10/2/1978	
TOLERANCES:		CHECKED	10/12/1978	
DECIMALS (INCH) .XX ±.02		DWR		
DECIMALS (MM) .X ±.5		ANGLES ±2°		
SURFACE FINISH:		MFG APPRV	10/12/1978	
MACHINED 128 [3.2] ✓		JGF		
MOLDED 64 [1.6] ✓		QC APPRV		
MATERIAL: POLYCARBONATE UL 94V-0.		ENG APPRV		
FINISH: AS MOLDED				
<p>3rd ANGLE PROJECTION</p>		-CAD GENERATED DRAWING- DO NOT MANUALLY UPDATE DO NOT SCALE		<p>SIZE A</p> <p>SCALE NONE</p>
		<p>DWG NO. 112530S1</p> <p>CADFILE 00864</p>		<p>REV. 10</p> <p>SHEET 1 OF 1</p>