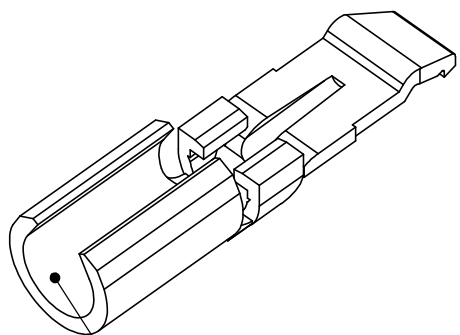


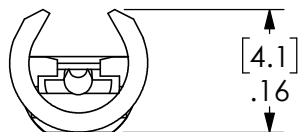
THE INFORMATION CONTAINED IN THIS DRAWING IS THE SOLE PROPERTY OF ANDERSON POWER PRODUCTS. ANY REPRODUCTION IN PART OR WHOLE WITHOUT THE WRITTEN PERMISSION OF ANDERSON POWER PRODUCTS IS PROHIBITED.

**Copyright 2016**

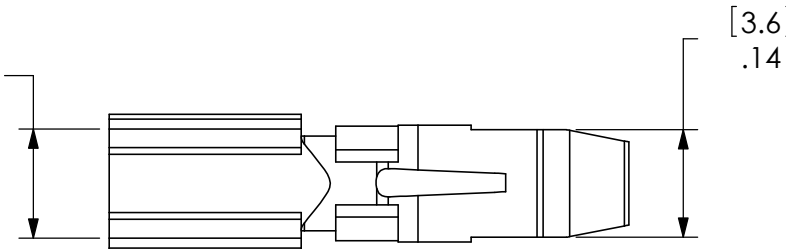
ANDERSON POWER PRODUCTS RESERVES THE RIGHT TO ALTER PRODUCT TYPES, THEIR TECHNICAL DATA, DIMENSION, STYLE AND ACCESSORIES WITHOUT PRIOR NOTIFICATION.



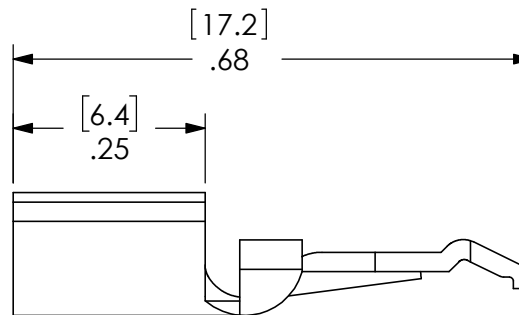
BARREL SIZED FOR #16-20 AWG WIRE





[3.6]  
.14



[3.6]  
.14



DIMENSIONS ARE IN:		INCH [MM]		APPROVALS		ANDERSON POWER PRODUCTS			
UNLESS OTHERWISE STATED				DRAWN	CMS	6/29/1999	 <b>TITLE</b> CATALOG NUMBER 269G2 15 AMP HIGH DENTENT CONTACT FOR REEL TRYPE "F" CRIMP #16-20 WIRE		
TOLERANCES:				CHECKED	DJD	6/30/1999			
DECIMALS (INCH)	DECIMALS (MM)	ANGLES		PM APPRV	CHB	6/30/1999			
.XX ± .02	.X ± .5	±2°		QC APPRV	RPO	6/30/1999			
SURFACE FINISH:				ENG APPRV	UFN	6/30/1999	SIZE	DWG NO.	REV.
MACHINED		128µin [3.2µ]		-CAD GENERATED DRAWING- DO NOT MANUALLY UPDATE DO NOT SCALE		A		113967S2	2
MOLDED		64µin [1.6µ]				SCALE		CADFILE	SHEET
MATERIAL:						NONE		01062	1 OF 1
COPPER									
FINISH:									
HOT TIN DIP									
 3rd ANGLE PROJECTION									

2	ECN 2016-0073	CPD	10/14/2016
REV.	DESCRIPTION OF CHANGES	APPROVED	DATE