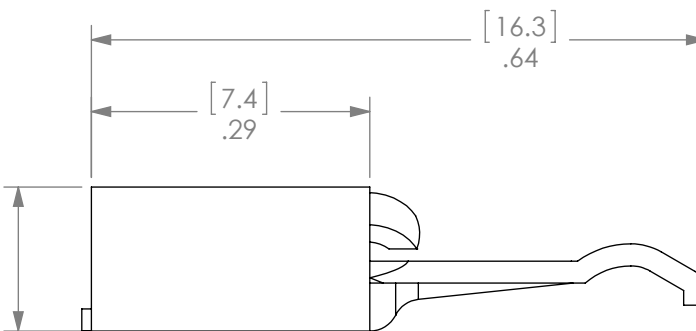
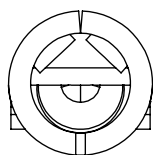
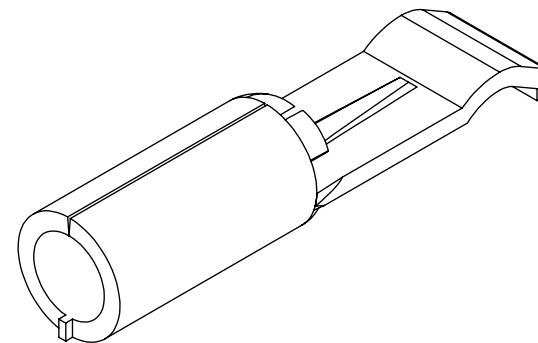
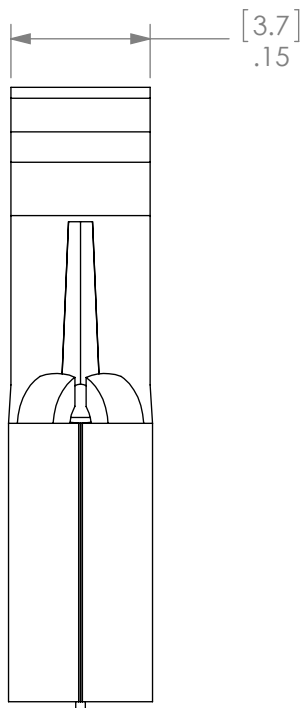


THE INFORMATION CONTAINED IN THIS DRAWING IS THE SOLE PROPERTY OF ANDERSON POWER PRODUCTS. ANY REPRODUCTION IN PART OR WHOLE WITHOUT THE WRITTEN PERMISSION OF ANDERSON POWER PRODUCTS IS PROHIBITED.

**Copyright 1997**

ANDERSON POWER PRODUCTS RESERVES THE RIGHT TO ALTER PRODUCT TYPES, THEIR TECHNICAL DATA, DIMENSION, STYLE AND ACCESSORIES WITHOUT PRIOR NOTIFICATION.



[3.8] .15

3	ECRN-15550	TWE	1/15/2014
2	ECRN-13433	CMS	10/23/01
1	ECRN-13220 REDRAWN	CMS	8/25/99
REV.	DESCRIPTION	APPRV	DATE

REVISIONS

DIMENSIONS ARE IN:	INCH [MM]	<i>APPROVALS</i>			<b>ANDERSON POWER PRODUCTS</b>		
UNLESS OTHERWISE STATED		DRAWN	RLE		3/11/1997	TITLE	
TOLERANCES:		CHECKED	DJD	10/9/2001	CATALOG NUMBER 1331		
DECIMALS (INCH)	DECIMALS (MM)	ANGLES	MFG APPRV	CHB	10/21/2001	PP30 CONTACT	
.XX ± .02	.X ± .5	±2°	QC APPRV	RPO	10/10/2001	FOR #12 - #16 AWG WIRE	
SURFACE FINISH:		ENG APPRV	UFN	3/11/1997	SIZE	DWG NO.	REV.
MACHINED	128µin [3.2µ]	-CAD GENERATED DRAWING- DO NOT MANUALLY UPDATE DO NOT SCALE		A	114018S2	3	
MOLDED	64µin [1.6µ]	3rd ANGLE PROJECTION		NONE	CADFILE	SHEET	
MATERIAL:	COPPER			NONE	01057	1 OF 1	
FINISH:	SILVER PLATE						