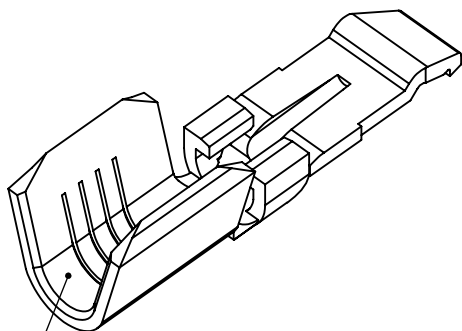


8 7 6 5 4 3 2 1

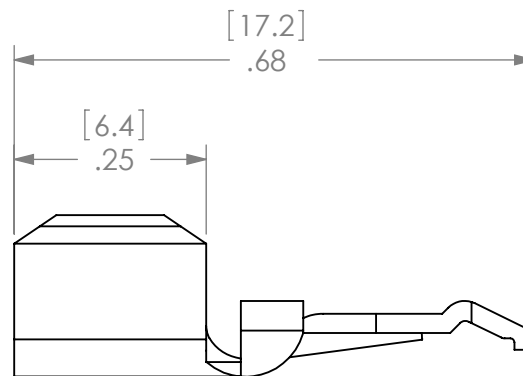
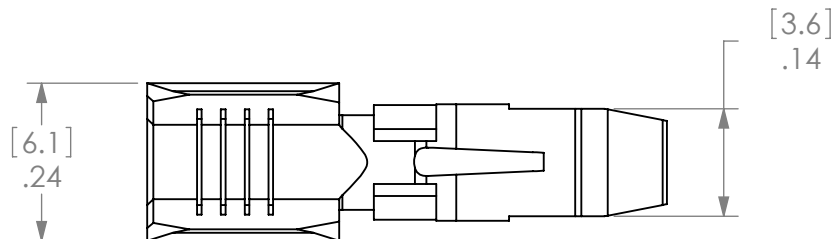
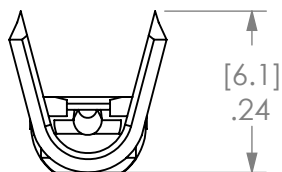
THE INFORMATION CONTAINED IN THIS DRAWING IS THE SOLE PROPERTY OF ANDERSON POWER PRODUCTS. ANY REPRODUCTION IN PART OR WHOLE WITHOUT THE WRITTEN PERMISSION OF ANDERSON POWER PRODUCTS IS PROHIBITED.

**Copyright 1999**

ANDERSON POWER PRODUCTS RESERVES THE RIGHT TO ALTER PRODUCT TYPES, THEIR TECHNICAL DATA, DIMENSION, STYLE AND ACCESSORIES WITHOUT PRIOR NOTIFICATION.



BARREL SIZED FOR #10-14 AWG WIRE



CAT. NO.	PLATING
201G1H	HOT TIN DIP
201G3H	SILVER

DIMENSIONS ARE IN:	INCH [MM]	<i>APPROVALS</i>		 <b>ANDERSON POWER PRODUCTS</b>			
UNLESS OTHERWISE STATED		DRAWN	GN		6/30/1999		
TOLERANCES:		CHECKED	DJD		9/19/2000		
DECIMALS (INCH)	DECIMALS (MM)	ANGLES					
.XX ± .02	.X ± .5	±2°					
SURFACE FINISH:		MFG APPRV	CHB	9/18/2000			
MACHINED	128µin [3.2µ]	QC APPRV	UFN	9/20/2000			
MOLDED	64µin [1.6µ]	ENG APPRV	RPO	9/19/2000			
MATERIAL:		SIZE	A	DWG NO.	114117S1	REV.	2
COPPER		SCALE	NONE	CADFILE	00982	SHEET	1 OF 1
FINISH:		-CAD GENERATED DRAWING- DO NOT MANUALLY UPDATE DO NOT SCALE					
SEE TABLE							
 <small>3rd ANGLE PROJECTION</small>							

REV.	DESCRIPTION	APPRV	DATE
2	ECRN-15554 ADDED TABLE WITH 201G3H	TWE	1/21/2014
1	ECRN-14110 REDRAWN	AMS	3/1/07

REVISIONS

8 7 6 5 4 3 2 1