

THE INFORMATION CONTAINED IN THIS DRAWING IS THE SOLE PROPERTY OF ANDERSON POWER PRODUCTS. ANY REPRODUCTION IN PART OR WHOLE WITHOUT THE WRITTEN PERMISSION OF ANDERSON POWER PRODUCTS IS PROHIBITED.

Copyright 2000

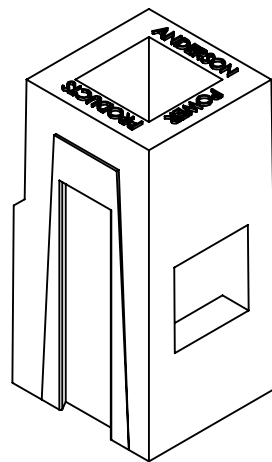
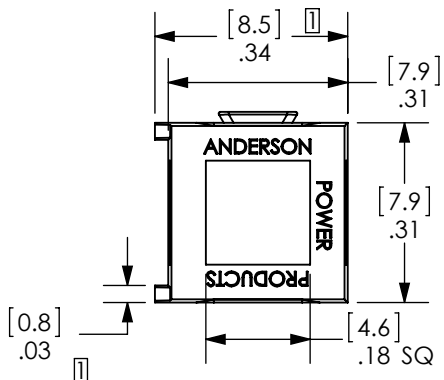
ANDERSON POWER PRODUCTS RESERVES THE RIGHT TO ALTER PRODUCT TYPES, THEIR TECHNICAL DATA, DIMENSION, STYLE AND ACCESSORIES WITHOUT PRIOR NOTIFICATION.

D

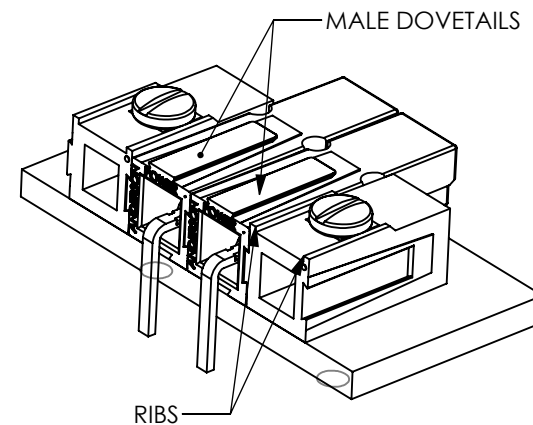
C

B

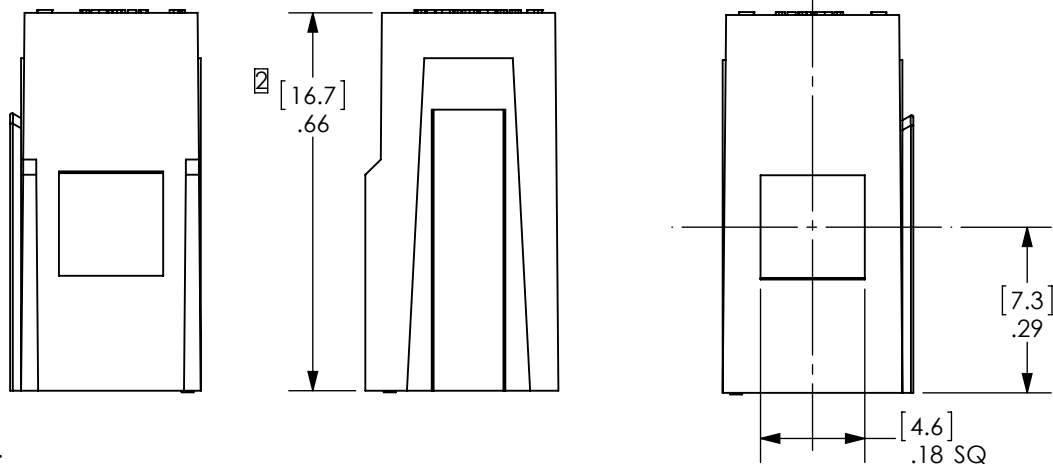
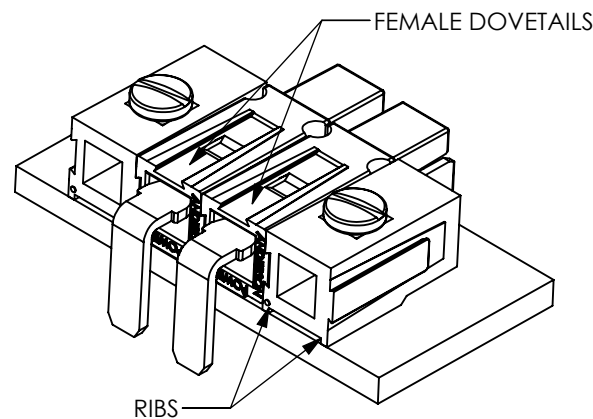
A



ORIENTATION FOR 25 AMP PCB SERIES



ORIENTATION FOR HIGH POWER PCB SERIES



NOTES:

1. IT IS RECOMMENDED THAT POWERPOLE MOUNTING WINGS BE USED IN PAIRS
2. POWERPOLE CONNEDTORS AND HARDWARE NOT INCLUDED
3. WINGS ARE AVAILABLE IN BLUE (1399G8) OR RED (1399G9)

DIMENSIONS ARE IN:		INCH [MM]		APPROVALS		ANDERSON POWER PRODUCTS	
UNLESS OTHERWISE STATED				DRAWN	CMS	10/29/1999	TITLE CATALOG NUMBER 1399G8, 1399G9 PP15/45 GENDERLESS MOUNTING WING
TOLERANCES:				CHECKED	DJD	11/1/1999	
DECIMALS (INCH) DECIMALS (MM) ANGLES .XX ± .02 .X ± .5 ± 2°				MFG APPRV	CHB	5/31/2000	
SURFACE FINISH:				QC APPRV	RPO	5/31/2000	
MATERIAL:				ENG APPRV	UFN	5/31/2000	SIZE A
PC FINISH:						DWG NO. 114206S1	REV. 2
3rd ANGLE PROJECTION				-CAD GENERATED DRAWING- DO NOT MANUALLY UPDATE DO NOT SCALE		SCALE NONE	CADFILE 01135
						SHEET 1 OF 1	

2	ECRN-15735	TWE	10/24/2014
1	ECRN-14641 ADD RIBS	CMS	8/5/10
REV.	DESCRIPTION	APPRV	DATE
REVISIONS			