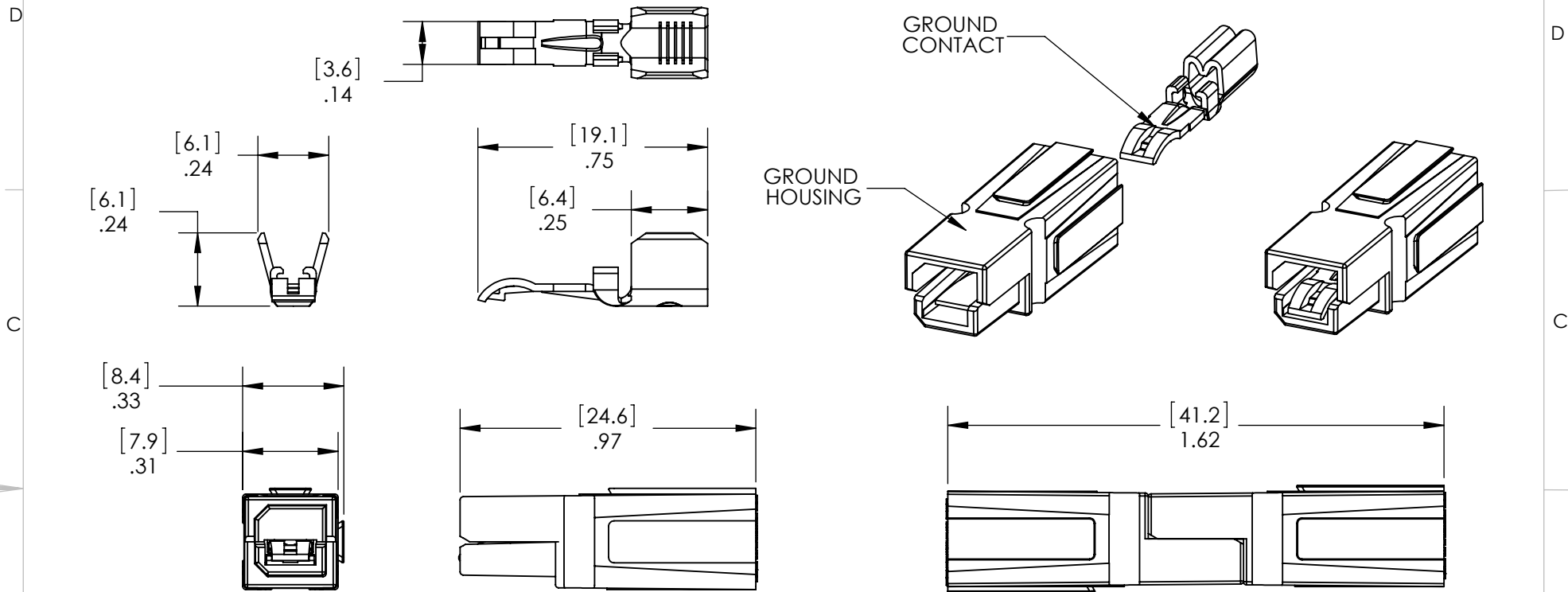


THE INFORMATION CONTAINED IN THIS DRAWING IS THE SOLE PROPERTY OF ANDERSON POWER PRODUCTS. ANY REPRODUCTION IN PART OR WHOLE WITHOUT THE WRITTEN PERMISSION OF ANDERSON POWER PRODUCTS IS PROHIBITED.

Copyright 2007

ANDERSON POWER PRODUCTS RESERVES THE RIGHT TO ALTER PRODUCT TYPES, THEIR TECHNICAL DATA, DIMENSION, STYLE AND ACCESSORIES WITHOUT PRIOR NOTIFICATION.



CAT. NO.	DESCRIPTION
1827G1	GROUND HOUSING (GREEN)
1845G1	GREEN HOUSING W/CONTACT
1830G1-LPBK	TIN PLATED GROUND CONTACT (LOOSE PIECE)
1830G1	TIN PLATED GROUND CONTACT (REELED)
1830G2-LPBK	SILVER PLATED GROUND CONTACT (LOOSE PIECE)
1830G2	SILVER PLATED GROUND CONTACT (REELED)

MATED PAIR

- NOTES:
- HOUSING AND CONTACT ASSEMBLIES ARE UL RECOGNIZED AND CSA CERTIFIED
 - ACCOMODATES #14 - #10 AWG SUPERFLEX WIRE

DIMENSIONS ARE IN:	INCH[MM]	APPROVALS	
UNLESS OTHERWISE STATED		DRAWN	AMS 05/21/07
TOLERANCES:		CHECKED	DJD 05/23/07
DECIMALS (INCH)	DECIMALS (MM)	MFG APP	CHB 05/21/07
.XX ± .02	.X ± .5	QC APP	UFN 05/22/07
SURFACE FINISH:		ENG APP	DAM 05/21/07
MACHINED	128 [3.2]	-CAD GENERATED DRAWING- DO NOT MANUALLY UPDATE DO NOT SCALE	
MOLDED	64 [1.6]		
MATERIAL:			
UL94-V0 POLYCARBONATE			
FINISH:			
PLATED COPPER ALLOY			

ANDERSON POWER PRODUCTS

TITLE

FLAT-WIPING GROUND CONNECTOR

SIZE A/A4 **DWG NO.** 114734S1 **REV.** 6

SCALE NONE **CADFILE** 02686 **SHEET** 1 OF 1

REV.	DESCRIPTION OF CHANGES	APPROVED	DATE
6	ECRN-15089	TWE	03/22/12
5	ECRN 14453 - ADDED 1830G2 Ag PLATED CONTACT	NTS	06/23/09
4	ECRN 14353 - UPDATE CRIMP WING DIMENSIONS	AMS	11/26/08
3	ECRN 14224 - ROUNDING ERROR	AMS	01/14/08
2	ECRN 14172 - TYPO	AMS	06/18/07

