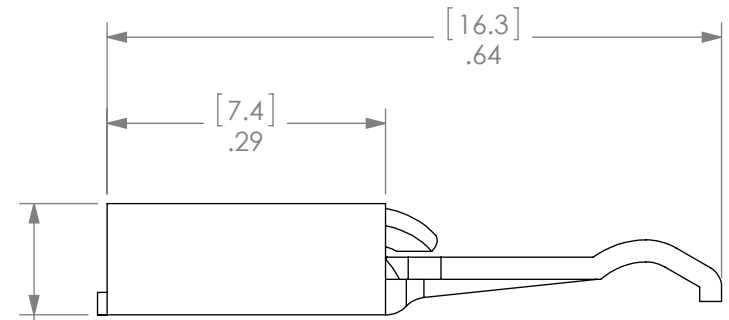
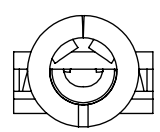
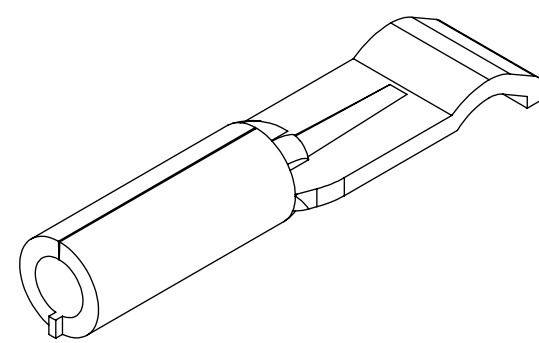
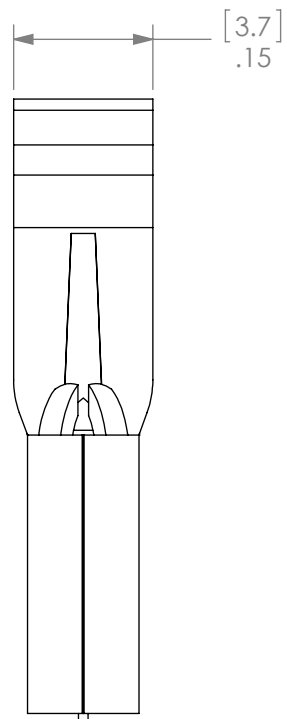


8 7 6 5 4 3 2 1

THE INFORMATION CONTAINED IN THIS DRAWING IS THE SOLE PROPERTY OF ANDERSON POWER PRODUCTS. ANY REPRODUCTION IN PART OR WHOLE WITHOUT THE WRITTEN PERMISSION OF ANDERSON POWER PRODUCTS IS PROHIBITED.

Copyright 1981

ANDERSON POWER PRODUCTS RESERVES THE RIGHT TO ALTER PRODUCT TYPES, THEIR TECHNICAL DATA, DIMENSION, STYLE AND ACCESSORIES WITHOUT PRIOR NOTIFICATION.



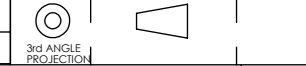
DIMENSIONS ARE IN: INCH [MM]

UNLESS OTHERWISE STATED

TOLERANCES:
DECIMALS (INCH) DECIMALS (MM) ANGLES
.XX ± .02 .X ± .5 ± 2°

SURFACE FINISH:
MACHINED 128µin [3.2µ]
MOLDED 64µin [1.6µ]

MATERIAL: COPPER
FINISH: SILVER PLATE



APPROVALS

DRAWN	RS	5/5/1981
CHECKED	LVR	5/5/1981
MFG APPRV	CHB	10/21/2001
QC APPRV	RPO	10/10/2001
ENG APPRV	UFN	10/21/2001

ANDERSON POWER PRODUCTS

TITLE
CATALOG NO. 1332
POWERPOLE 15 CONTACT
FOR #16 - #20 AWG WIRE

SIZE A DWG NO. 1C0608S22 REV. 7

SCALE NONE CADFILE 01034 SHEET 1 OF 1

REV.	DESCRIPTION	APPRV	DATE
7	ECRN-15550	TWE	1/15/2014
6	ECRN-13433	CMS	10/23/01
5	ECRN-13212 REDRAWN	CMS	6/15/99
REVISIONS			

8 7 6 5 4 3 2 1