

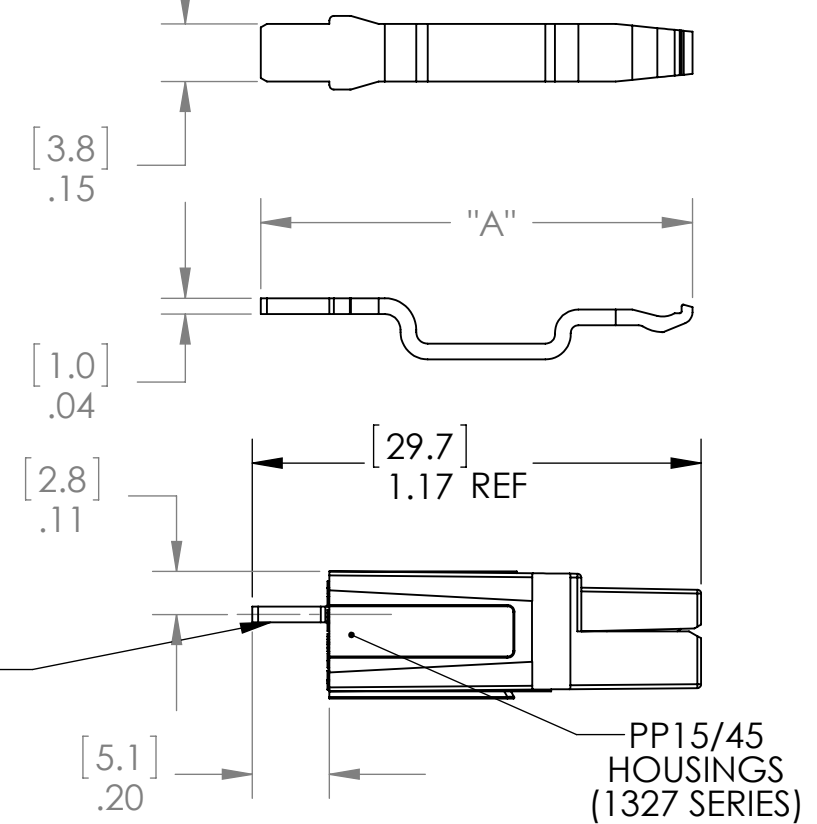
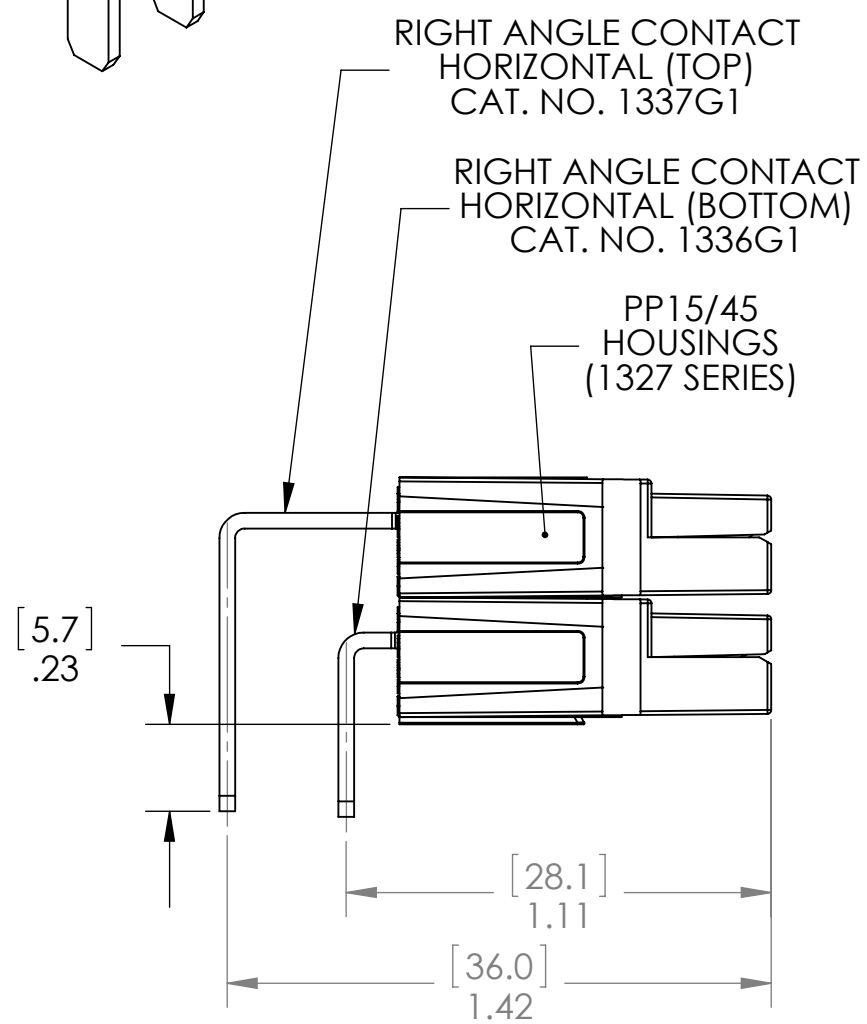
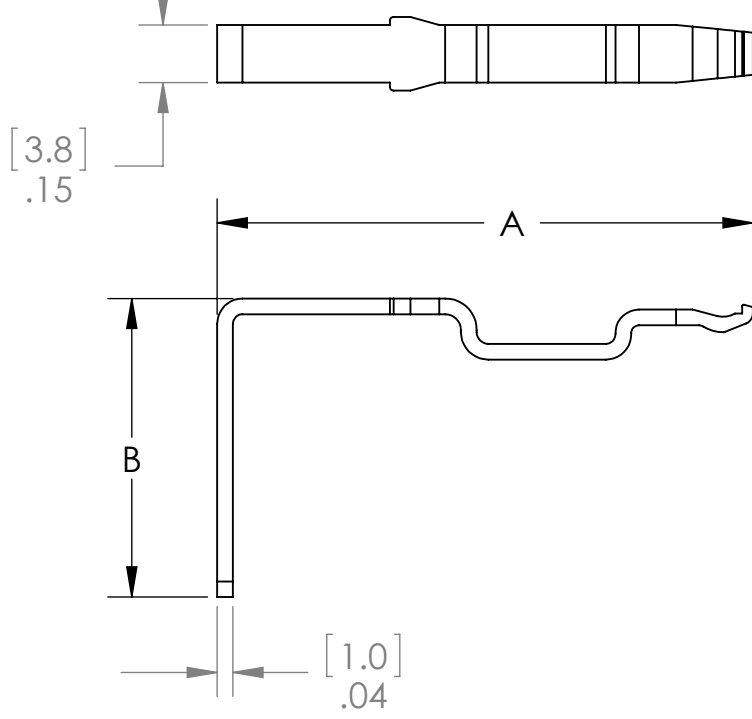
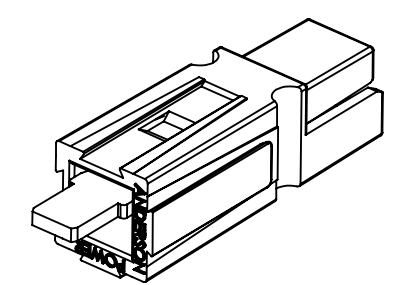
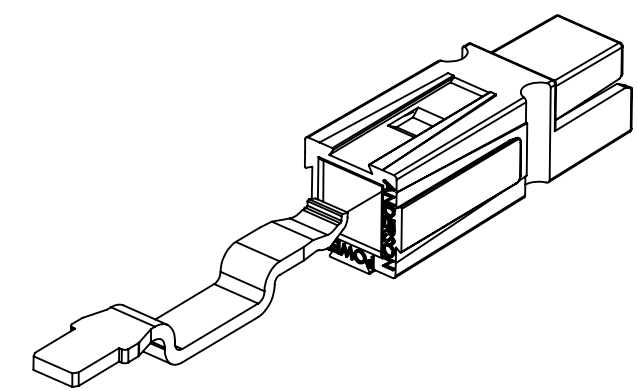
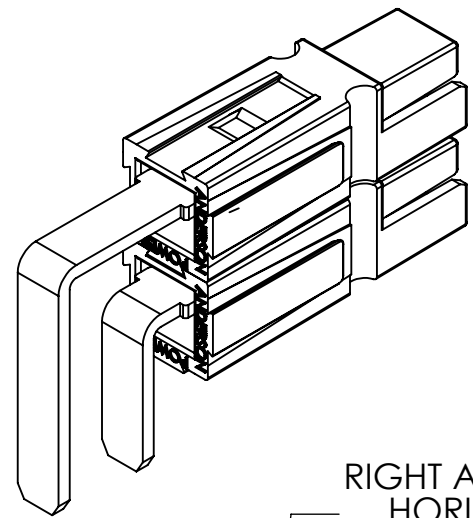
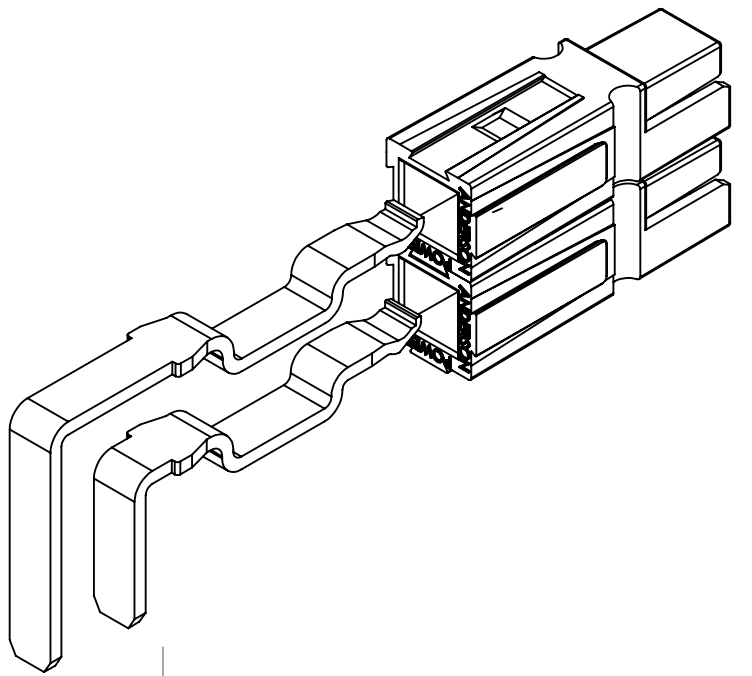
THE INFORMATION CONTAINED IN THIS DRAWING IS THE SOLE PROPERTY OF ANDERSON POWER PRODUCTS. ANY REPRODUCTION IN PART OR WHOLE WITHOUT THE WRITTEN PERMISSION OF ANDERSON POWER PRODUCTS IS PROHIBITED.

Copyright 2006

ANDERSON POWER PRODUCTS RESERVES THE RIGHT TO ALTER PRODUCT TYPES, THEIR TECHNICAL DATA, DIMENSION, STYLE AND ACCESSORIES WITHOUT PRIOR NOTIFICATION.

RIGHT ANGLE CONTACT

VERTICLE CONTACT



- NOTES:
- FOR USE WITH 1327 SERIES HOUSINGS (SOLD SEPARATELY)
 - SEE DATA SHEET MOUNTING ACCESSORIES
 - SEE SHEET 2 FOR SAMPLE PCB LAYOUT AND BLOCKING CONFIGURATIONS
 - MATERIAL:
CONTACT: COPPER ALLOY PLATED WITH 200 MICRO-INCHES MIN. MATTE TIN

PART NUMBER	DESCRIPTION	"A"		"B"	
		IN	MM	IN	MM
1335G1	HP PCB, STRAIGHT	1.12	28.5	N/A	
1336G1	HP PCB, RIGHT-ANGLE, BOTTOM	1.08	27.5	0.47	11.9
1337G1	HP PCB, RIGHT ANGLE, TOP	1.40	35.4	0.78	19.7

REV.	DESCRIPTION	APPRV	DATE
6	ECRN-15763	TWE	1/15/2015
5	ECRN-15089	TWE	3/26/12
4	ECRN 14312 ADD PCB LAYOUT TOLERANCES	AMS	8/26/08
3	ECRN 14124 - ADD SHEET 2	AMS	5/2/07
2	ECRN 14129 - ALTER APPEARANCE OF LEAD-IN	AMS	3/30/07
REV.	DESCRIPTION	APPRV	DATE

DIMENSIONS ARE IN:	INCH [MM]	APPROVALS		 ANDERSON POWER PRODUCTS
UNLESS OTHERWISE STATED		DRAWN	CPP 2/9/2006	
TOLERANCES:		CHECKED	BD 2/10/2006	
DECIMALS (INCH)	DECIMALS (MM)	ANGLES	MFG APPRV DAM 2/10/2006	
.XX ± .02	.X ± .5	± 2°	QC APPRV UFN 2/10/2006	
SURFACE FINISH:		ENG APPRV	MAW 2/10/2006	SIZE B
MACHINED 128µin [3.2µ]				DWG NO. B02021S
MOLDED 64µin [1.6µ]				REV. 6
MATERIAL: SEE NOTE				SCALE NONE
FINISH: SEE NOTE				CADFILE 02502
3rd ANGLE PROJECTION		-CAD GENERATED DRAWING- DO NOT MANUALLY UPDATE DO NOT SCALE		SHEET 1 OF 2

8

7

6

5

4

3

2

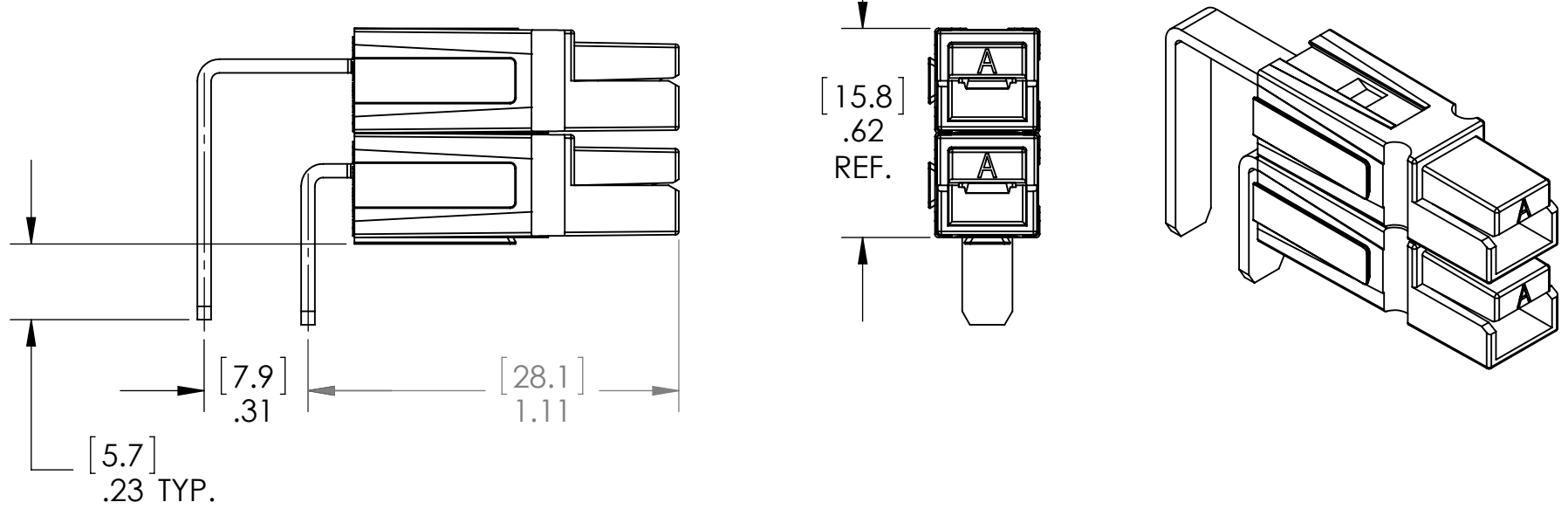
1

THE INFORMATION CONTAINED IN THIS DRAWING IS THE SOLE PROPERTY OF ANDERSON POWER PRODUCTS. ANY REPRODUCTION IN PART OR WHOLE WITHOUT THE WRITTEN PERMISSION OF ANDERSON POWER PRODUCTS IS PROHIBITED.

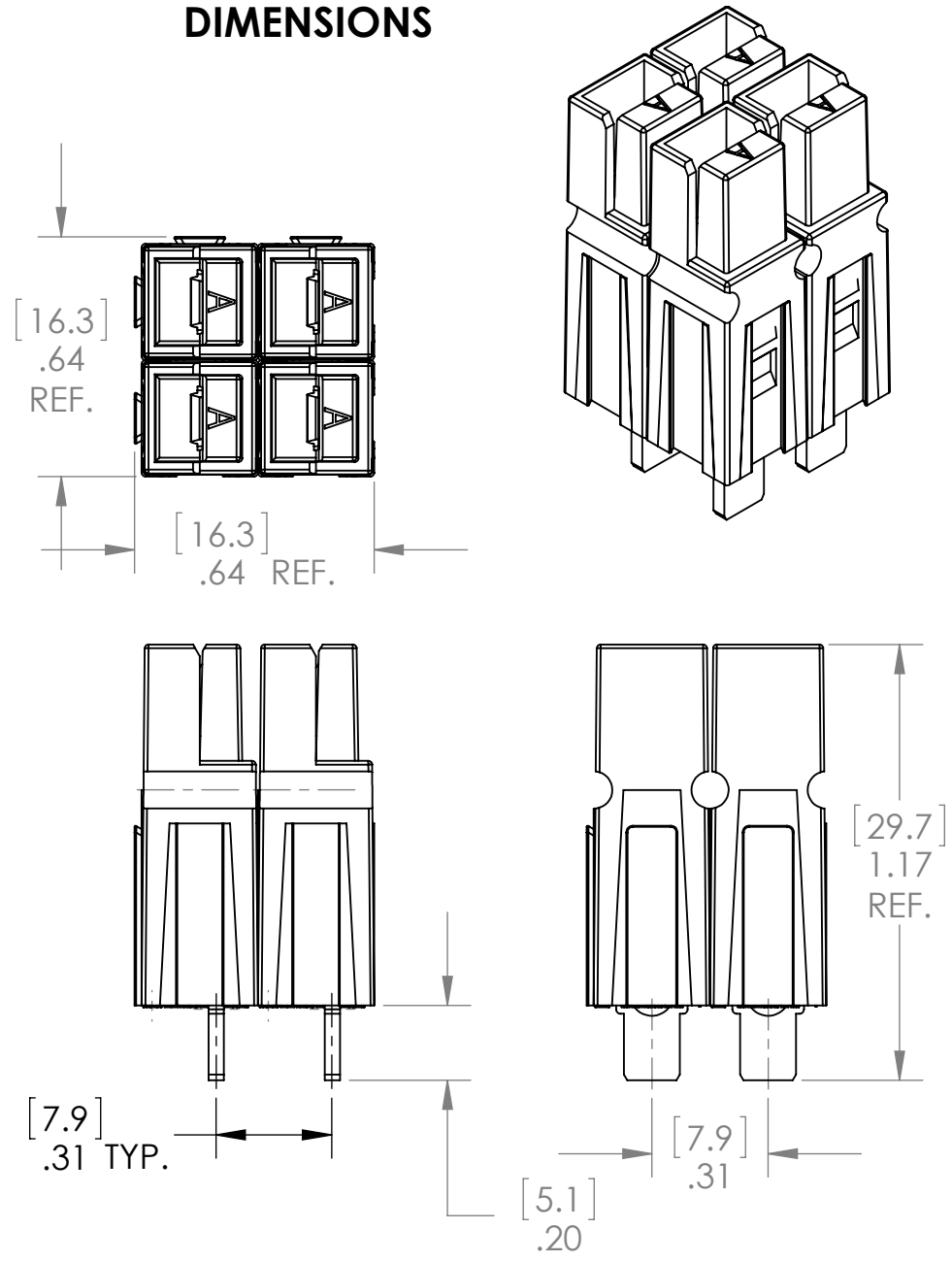
Copyright 2006

ANDERSON POWER PRODUCTS RESERVES THE RIGHT TO ALTER PRODUCT TYPES, THEIR TECHNICAL DATA, DIMENSION, STYLE AND ACCESSORIES WITHOUT PRIOR NOTIFICATION.

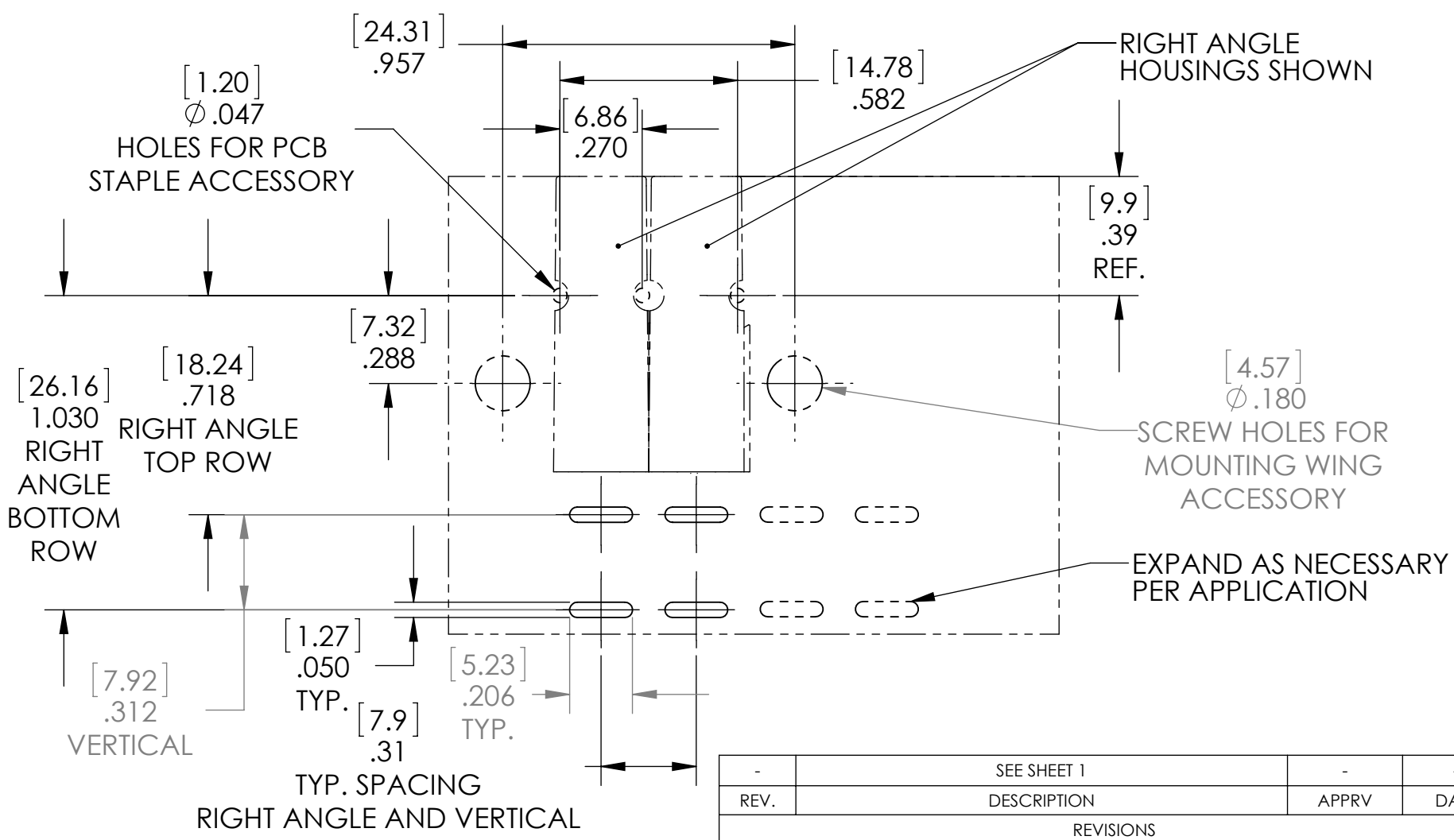
RIGHT ANGLE STACKED HOUSING



VERTICAL BLOCKED HOUSING DIMENSIONS



SAMPLE PCB LAYOUT



DIMENSIONS ARE IN:	INCH [MM]	APPROVALS	
UNLESS OTHERWISE STATED		DRAWN	CPP 2/9/2006
TOLERANCES:		CHECKED	BD 2/10/2006
DECIMALS (INCH)	DECIMALS (MM)	MFG APPRV	DAM 2/10/2006
.XX ± .02	.X ± .5	QC APPRV	UFN 2/10/2006
ANGLES	±2°	ENG APPRV	MAW 2/10/2006
SURFACE FINISH:		MATERIAL: SEE NOTE	
MACHINED 128µin [3.2µ]		FINISH: SEE NOTE	
MOLDED 64µin [1.6µ]		-CAD GENERATED DRAWING- DO NOT MANUALLY UPDATE DO NOT SCALE	

ANDERSON POWER PRODUCTS		
TITLE		
HIGH POWER PCB SERIES 45 AMP PCB POWERPOLE™ SALES OUTLINE DRAWING		
SIZE	DWG NO.	REV.
B	B02021S	6
SCALE	CADFILE	SHEET
NONE	02502	2 OF 2

REV.	DESCRIPTION	APPRV	DATE
-	SEE SHEET 1	-	-
REVISIONS			

E

D

C

B

A

E

D

C

B

A

8

7

6

5

4

3

2

1