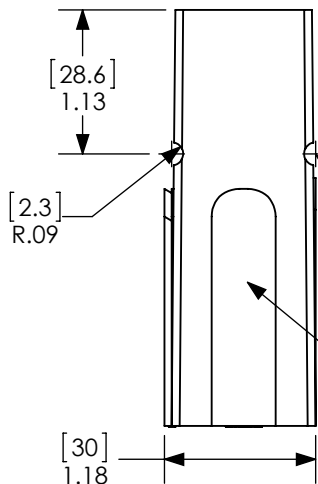


THE INFORMATION CONTAINED IN THIS DRAWING IS THE SOLE PROPERTY OF ANDERSON POWER PRODUCTS. ANY REPRODUCTION IN PART OR WHOLE WITHOUT THE WRITTEN PERMISSION OF ANDERSON POWER PRODUCTS IS PROHIBITED.

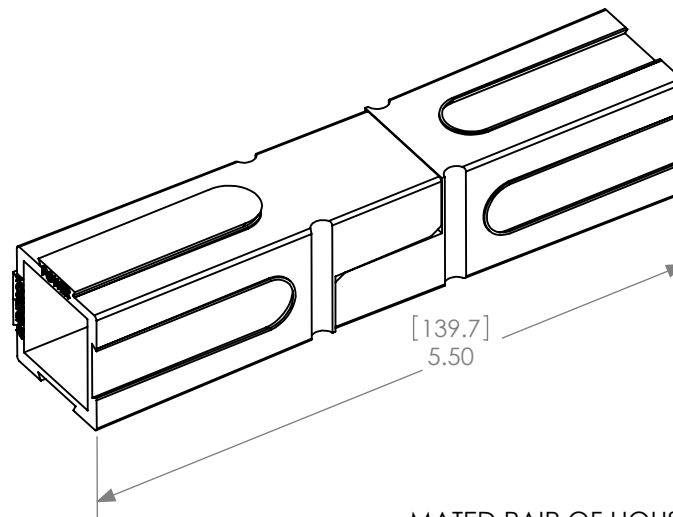
Copyright 1969

ANDERSON POWER PRODUCTS RESERVES THE RIGHT TO ALTER PRODUCT TYPES, THEIR TECHNICAL DATA, DIMENSION, STYLE AND ACCESSORIES WITHOUT PRIOR NOTIFICATION.

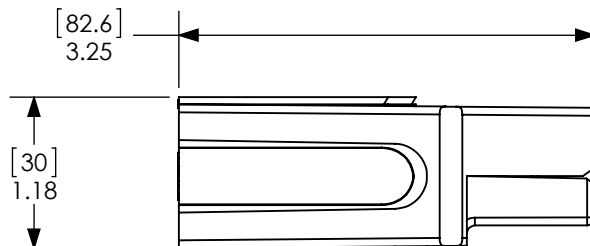
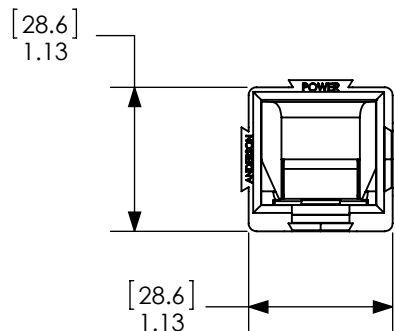


WHEN MATED SIDE TO SIDE, HALF-ROUNDS ALIGN TO FORM A SLOT FOR ROLL PIN INSERTION, WHICH PROTECTS AGAINST ACCIDENTAL DISLODGING OF MATED HOUSINGS

DOVETAILS ALLOW STACKING IN VERTICAL, HORIZONTAL, OR IN BLOCK CONFIGURATIONS



MATED PAIR OF HOUSINGS (CONTACTS NOT SHOWN)



CAT. NO.	COLOR
1381	BLUE
1381G1	BLACK
1381G2	WHITE
1381G3	RED
1381G4	GREEN

- NOTES:**
1. SPRING/HOUSING ASSEMBLIES ARE UL RECOGNIZED PER FILE E26226 AND CSA CERTIFIED PER LR25154.
 2. FOR ASSEMBLY INSTRUCTIONS, SEE DOCUMENT 1S1072.
 3. HOUSINGS: POLYCARBONATE, UL94V0. SPRING: STAINLESS STEEL. FOR OTHER COLORS, CONSULT ANDERSON POWER PRODUCTS.

DIMENSIONS ARE IN:	INCH [MM]	APPROVALS		ANDERSON POWER PRODUCTS TITLE 1381-SERIES "POWERPOLE 180" HOUSING/SPRING ASSEMBLY
UNLESS OTHERWISE STATED		DRAWN	DJD 8/18/1969	
TOLERANCES:		CHECKED	UFN 10/21/2001	
DECIMALS (INCH) DECIMALS (MM) ANGLES		MFG APPRV	CHB 10/21/2001	
SURFACE FINISH:		QC APPRV	RPO 10/10/2001	SIZE A DWG NO. 1-9597S3 REV. 7
MACHINED 128µin [3.2µ]✓ MOLDED 64µin [1.6µ]✓		ENG APPRV	ERU 11/7/1972	
MATERIAL: SEE NOTE 3		-CAD GENERATED DRAWING- DO NOT MANUALLY UPDATE DO NOT SCALE		SCALE NONE
FINISH: AS MOLDED				CADFILE 00834
				SHEET 1 OF 1

REV.	DESCRIPTION	APPRV	DATE
7	ECRN-15824 UPDATE TITLE AND NOTES	TWE	5/7/2015
6	ECRN-13433	CMS	10/23/01
5	ECRN-13058 UPDATED TO CAD	CGC	4/23/98
REVISIONS			