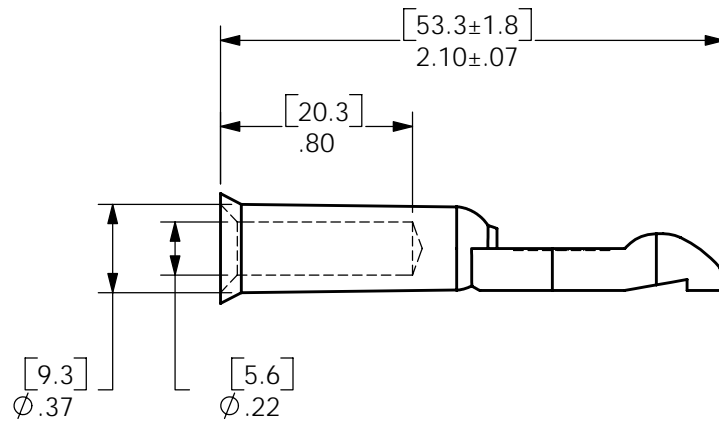
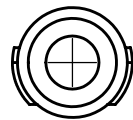
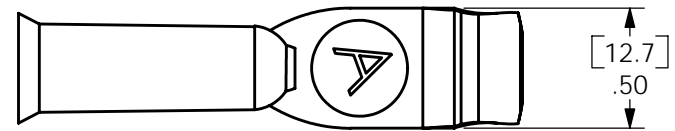
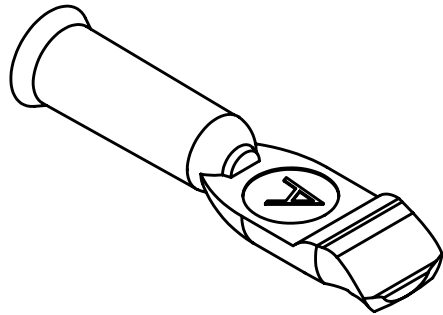


8 7 6 5 4 3 2 1

THE INFORMATION CONTAINED IN THIS DRAWING IS THE SOLE PROPERTY OF ANDERSON POWER PRODUCTS. ANY REPRODUCTION IN PART OR WHOLE WITHOUT THE WRITTEN PERMISSION OF ANDERSON POWER PRODUCTS IS PROHIBITED.

Copyright 2008

ANDERSON POWER PRODUCTS RESERVES THE RIGHT TO ALTER PRODUCT TYPES, THEIR TECHNICAL DATA, DIMENSION, STYLE AND ACCESSORIES WITHOUT PRIOR NOTIFICATION.



CAT. NO 1348

|                             |               |  |             |                             |
|-----------------------------|---------------|--|-------------|-----------------------------|
| DIMENSIONS ARE IN: INCH[MM] |               | APPROVALS  |             | <br>ANDERSON POWER PRODUCTS |
| UNLESS OTHERWISE STATED     |               | DRAWN  | CMS 7/2/99  |                             |
| TOLERANCES:                 |               | CHECKED  | DJD 7/6/99  |                             |
| DECIMALS (INCH)             | DECIMALS (MM) | ANGLES   | MFG APP     |                             |
| .XX ±.02                    | .X ±.5        | ±2°  | CHB 7/7/99  |                             |
| SURFACE FINISH:             |               | MATERIAL:  | QC APP      | SIZE<br>A/A4                |
| MACHINED                    | 128 [3.2] ✓   | COPPER ALLOY   | DJM 7/7/99  |                             |
| MOLDED                      | 64 [1.6] ✓    | FINISH:  | ENG APP     | DWG NO.<br>113878S5         |
| SILVER PLATE                |               |  | UFN 7/19/99 | REV.<br>1                   |
| <br>3rd ANGLE PROJECTION    |               | CAD GENERATED DRAWING.<br>DO NOT MANUALLY UPDATE<br>DO NOT SCALE |             | SCALE<br>NONE               |
|                             |               |  |             | CADFILE<br>01069            |
|                             |               |  |             | SHEET<br>1 OF 1             |

|      |                             |          |          |
|------|-----------------------------|----------|----------|
| 1    | ECRN 14358 - REVISE, REDRAW | AMS      | 12/17/08 |
| REV. | DESCRIPTION OF CHANGES      | APPROVED | DATE     |

8 7 6 5 4 3 2 1