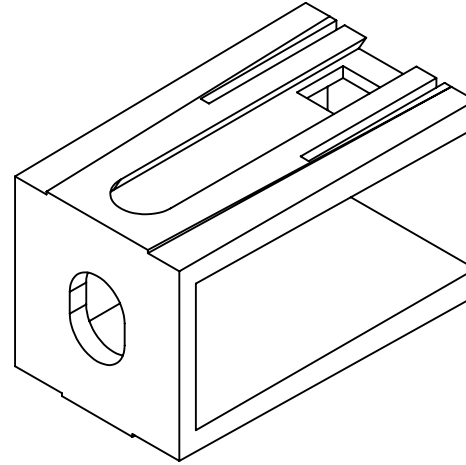
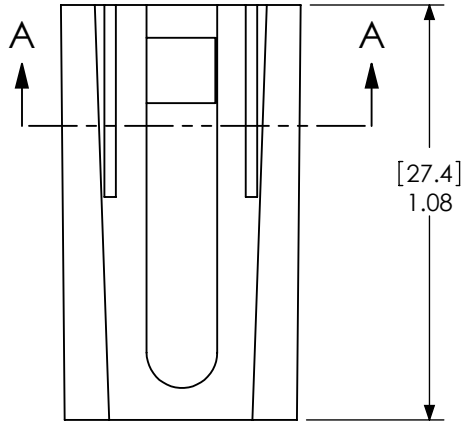


THE INFORMATION CONTAINED IN THIS DRAWING IS THE SOLE PROPERTY OF ANDERSON POWER PRODUCTS. ANY REPRODUCTION IN PART OR WHOLE WITHOUT THE WRITTEN PERMISSION OF ANDERSON POWER PRODUCTS IS PROHIBITED.

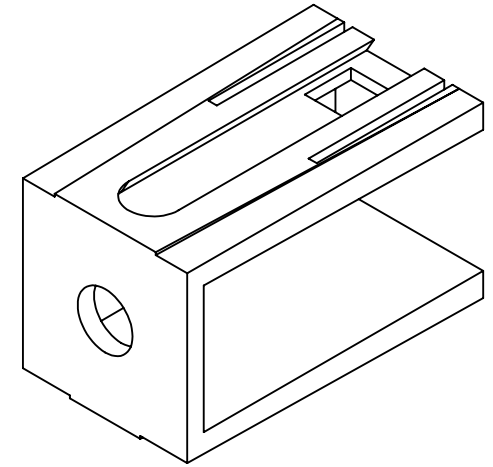
BY: DATE

DESCRIPTION OF CHANGES

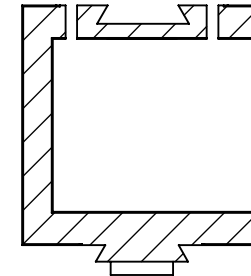
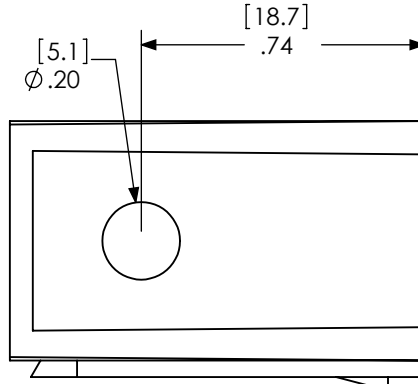
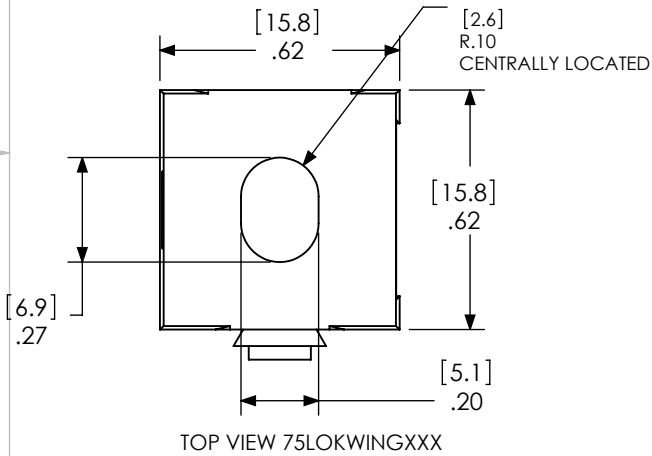
REV.



75LOKWINGXXX

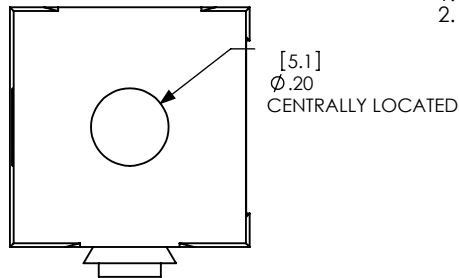


75LOKWINGXXX-R



SECTION A-A

- NOTES:
 1. TO BE USED WITH PP75 LOCKING CONNECTORS
 2. PART NUMBER DESIGNATIONS:
 XXX=COLOR; BLU=BLUE,
 BLK=BLACK, RED=RED



ITEM NO.	PART OR IDENTIFYING NO.	NOMENCLATURE OR DESCRIPTION	MATERIAL SPECIFICATION	QTY REQD
COPYRIGHT 1999 ANDERSON POWER PRODUCTS. ALL RIGHTS RESERVED. UNAUTHORIZED REPRODUCTION HEREBY PROHIBITED.				
DIMENSIONS ARE IN INCHES DIMENSIONS IN PARENTHESES [] ARE IN MILLIMETERS		CAD GENERATED DRAWING, DO NOT MANUALLY UPDATE	ANDERSON POWER PRODUCTS	
TOLERANCES ARE: 2PL- ±.02 [±.5]		APPROVALS	DATE	
MATERIALS: PC-VO		DRAWN	CMS 9/23/99	
FINISH NONE		CHECKED	DJD 9/24/99	
NEXT ASSY USED ON		RESP ENG	UFN 9/24/99	
APPLICATION		MFG ENG	CHB 9/24/99	
DO NOT SCALE DRAWING		QUAL ENG	RPO 9/27/99	
		SIZE	SPECIFICATION:	
		A	114190S1	
		SCALE	NONE	
			CADFILES/01115	
			SHEET 1 OF 1	
			REV. 0	