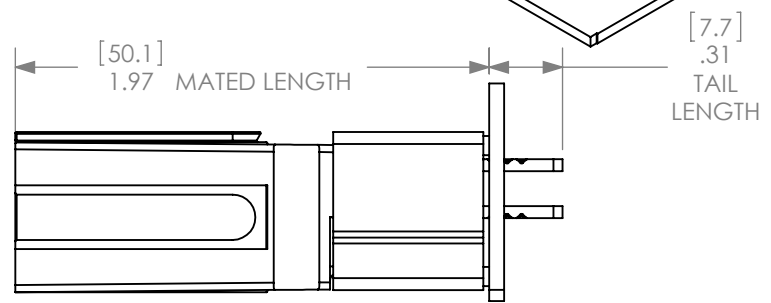
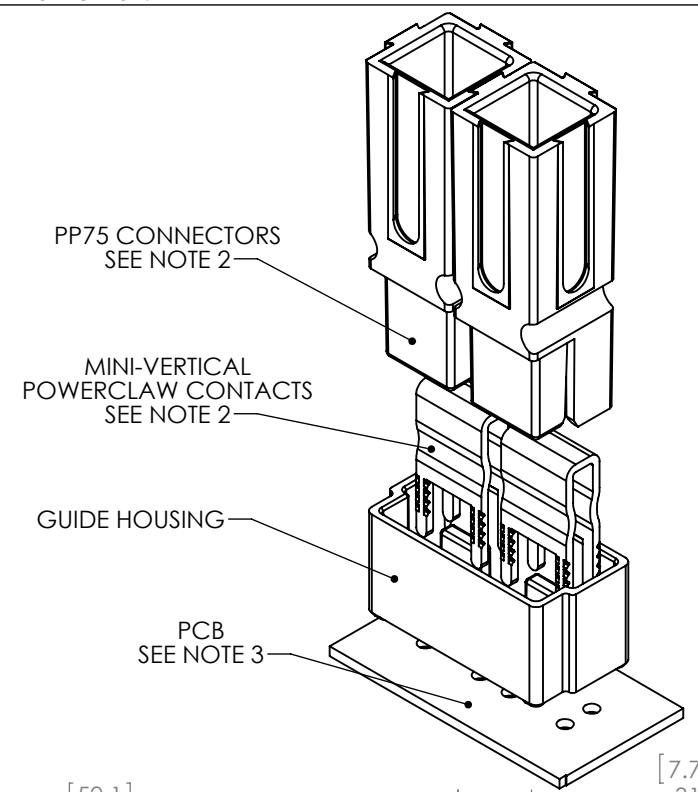
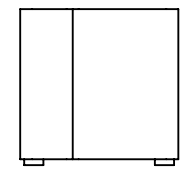
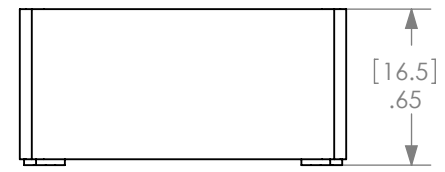
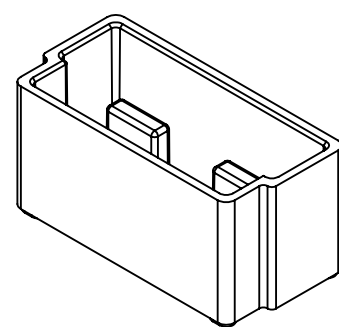
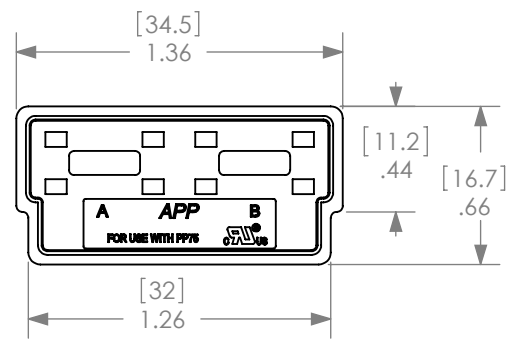


8 7 6 5 4 3 2 1

THE INFORMATION CONTAINED IN THIS DRAWING IS THE SOLE PROPERTY OF ANDERSON POWER PRODUCTS. ANY REPRODUCTION IN PART OR WHOLE WITHOUT THE WRITTEN PERMISSION OF ANDERSON POWER PRODUCTS IS PROHIBITED.

Copyright 2002

ANDERSON POWER PRODUCTS RESERVES THE RIGHT TO ALTER PRODUCT TYPES, THEIR TECHNICAL DATA, DIMENSION, STYLE AND ACCESSORIES WITHOUT PRIOR NOTIFICATION.



- NOTES:
 1. THIS GUIDE HOUSING FOR USE WITH TWO MINI-VERTICAL POWERCLAW CONTACTS, AND IS TO BE MATED WITH TWO PP75 CONNECTORS ONLY.
 2. POWERCLAW CONTACTS AND PP75 CONNECTORS SOLD SEPARATELY
 3. FOR PCB HOLE MOUNTING DIMENSIONS SEE DWG. 114332S1

DIMENSIONS ARE IN:		INCH [MM]		<i>APPROVALS</i>		ANDERSON POWER PRODUCTS	
UNLESS OTHERWISE STATED				DRAWN	CMS	11/25/2002	TITLE CATALOG NUMBER PC-HSG-PP MINI-VERTICAL POWERCLAW GUIDE HOUSING FOR PP75
TOLERANCES:				CHECKED	DJD	11/25/2002	
DECIMALS (INCH)	DECIMALS (MM)	ANGLES		MFG APPRV	DAM	11/25/2002	
.XX ± .02	.X ± .5	±2°		QC APPRV	RPO	11/25/2002	
SURFACE FINISH:				ENG APPRV	MAW	11/25/2002	
MACHINED 128µin [3.2µ]				MATERIAL:		SIZE	DWG NO.
MOLDED 64µin [1.6µ]				PC, UL94V-0, BLK		A	114332S3
FINISH:				AS MOLDED		SCALE	CADFILE
NONE				NONE		01685	SHEET
				-CAD GENERATED DRAWING- DO NOT MANUALLY UPDATE DO NOT SCALE		1 OF 1	REV. 2

REV.	DESCRIPTION	APPRV	DATE
2	ECRN-15202 UPDATE DIM'S & NOTE	TWE	7/13/2012
1	ECRN-14249 ADDED MATING LENGTH	CMS	3/26/08
REVISIONS			

8 7 6 5 4 3 2 1